

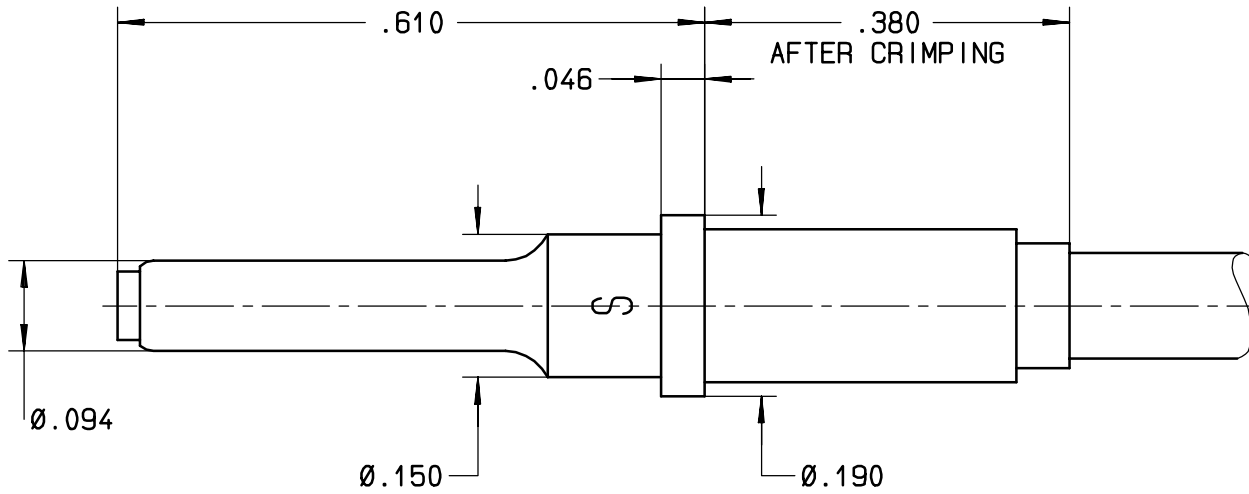


Series  
MPX

SIZE 12 COAXIAL PIN CONTACT  
FOR RG179 AND RG316 CABLES

Issue:  
02 JULY 01

Page  
1 / 2



**MATERIAL AND FINISH:**

- OUTER CONTACT: COPPER ALLOY-GOLD (50 MICROINCHES) OVER NICKEL
- INSULATORS: PTFE
- CENTER CONTACT: BERYLLIUM COPPER HEAT TREATED FOR SPRING TINES ANNEALED ON CRIMP BARREL
- GOLD (50 MICROINCHES) OVER NICKEL
- CRIMP FERRULE : BRASS-GOLD (50 MICROINCHES) OVER NICKEL

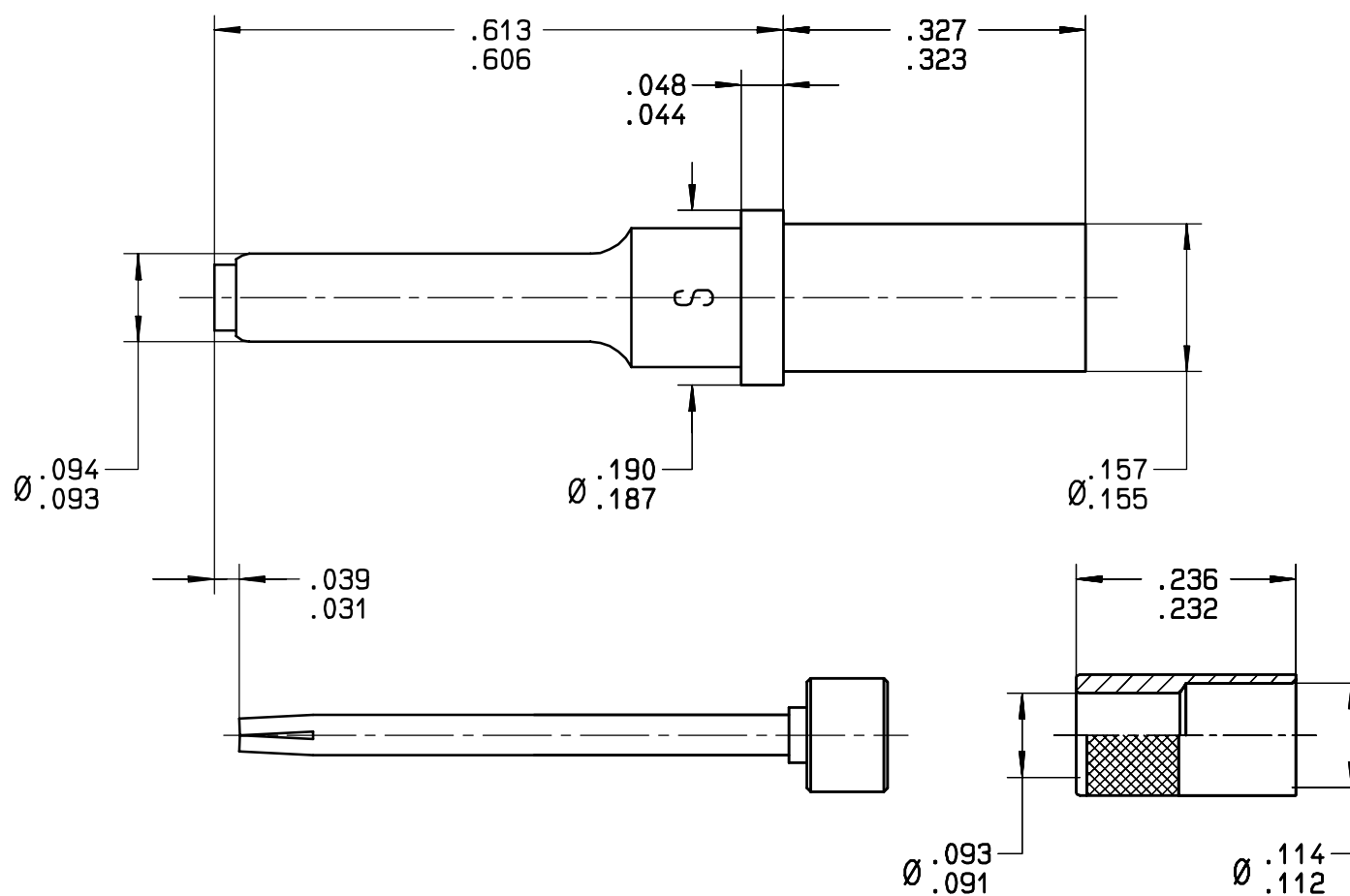
**ELECTRICAL CHARACTERISTICS:**

- INSULATION RESISTANCE: 5000 MΩ
- V.S.W.R.: 1.4:1
- DIELECTRIC WITHSTANDING VOLTAGE: 1000 V RMS AT SEA LEVEL
- FREQUENCY RANGE: 10 TO 1000 MHZ
- INSERTION LOSS: 0,40 dB

This information is given as an indication. In the continual goal to improve our products, we reserve the right to make any modifications judged necessary.

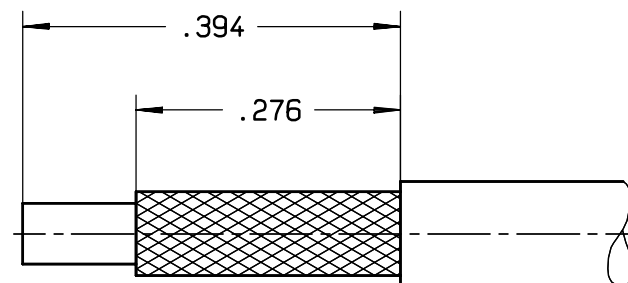
4112-9610

CREATION				
PEN: .				
NOM: FALETTI				
DATE: 04 MAY 92	07.02.01	UPDATING ON STEP 1	FISCHER	MACARI
APPR.: .	10 SEPT.98	REDRAWN	MACARI	
	Issue	Revisions	Name	Approved

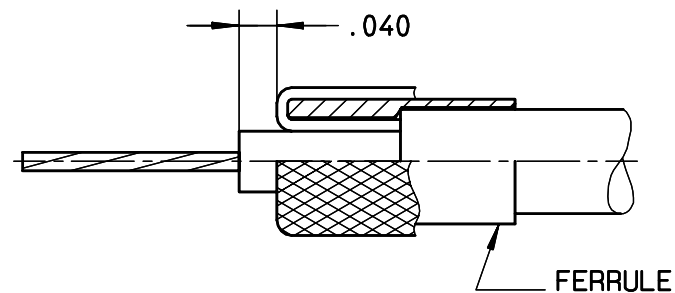


WIRING INSTRUCTIONS:

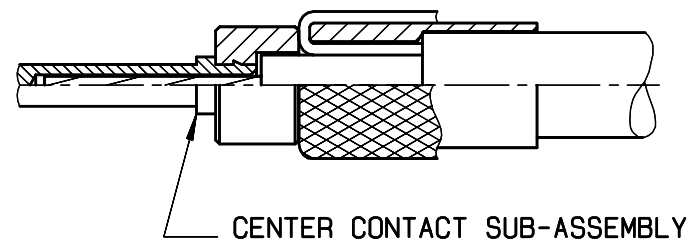
STEP 1  
-STRIP THE CABLE AT DIMENSIONS SHOWN



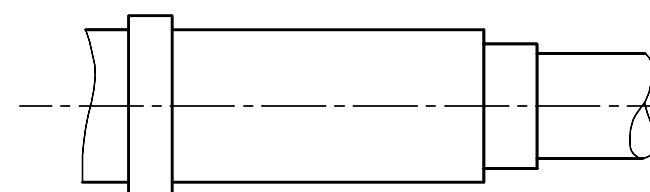
STEP 2  
-SLIDE FERRULE OVER BRAID UNTIL IT BUTTS AGAINST SHEATH  
-COMB AND FOLD BRAID OVER FERRULE  
-STRIP DIELECTRIC



STEP 3  
-INSERT INNER CONDUCTOR INTO CENTER CONTACT SUB-ASSEMBLY  
-CRIMP CENTER CONTACT USING:  
CRIMPING TOOL: M22520/2-01 SELECTOR SET 4  
POSITIONER: RADIAL 282580



STEP 4  
-PUSH CABLE ASSEMBLY INTO OUTER CONTACT  
-CRIMP OUTER CONTACT USING:  
CRIMPING TOOL: M22520/31-01 (DANIELS GS200)  
POSITIONER: RADIAL 282581



This information is given as an indication. In the continual goal to improve our products, we reserve the right to make any modifications judged necessary.

4113\_9306