

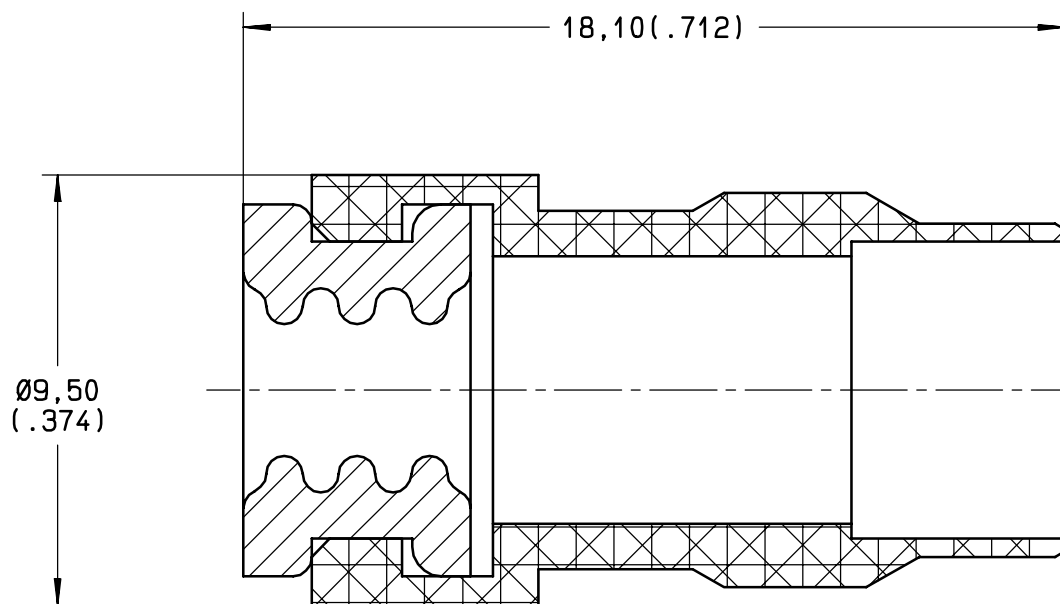
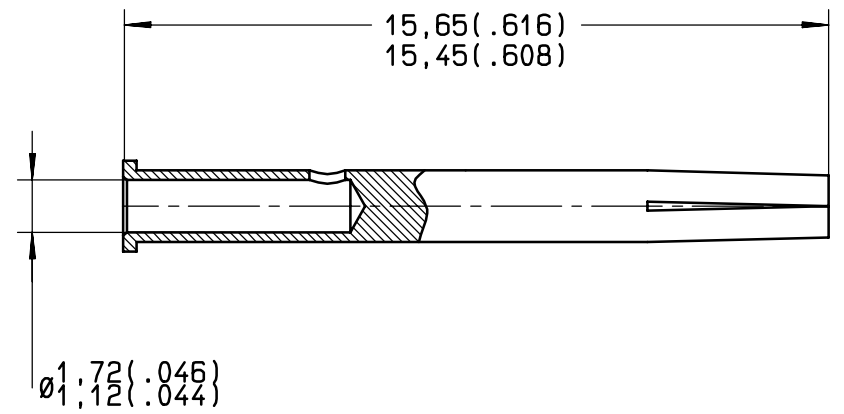
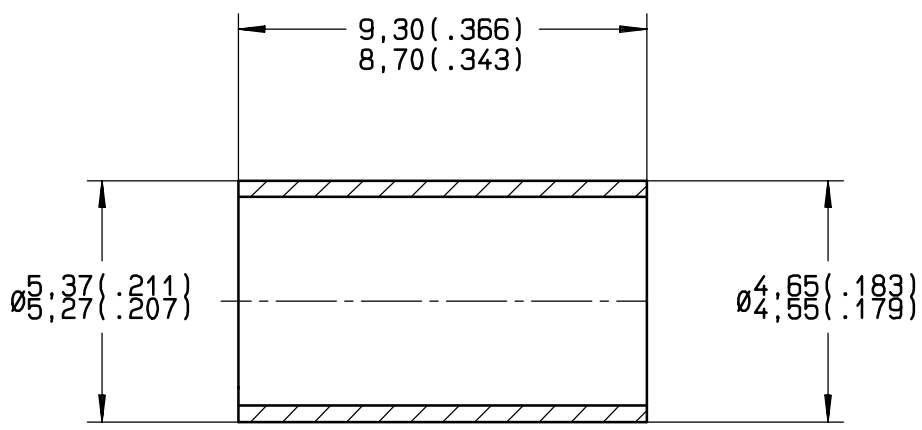
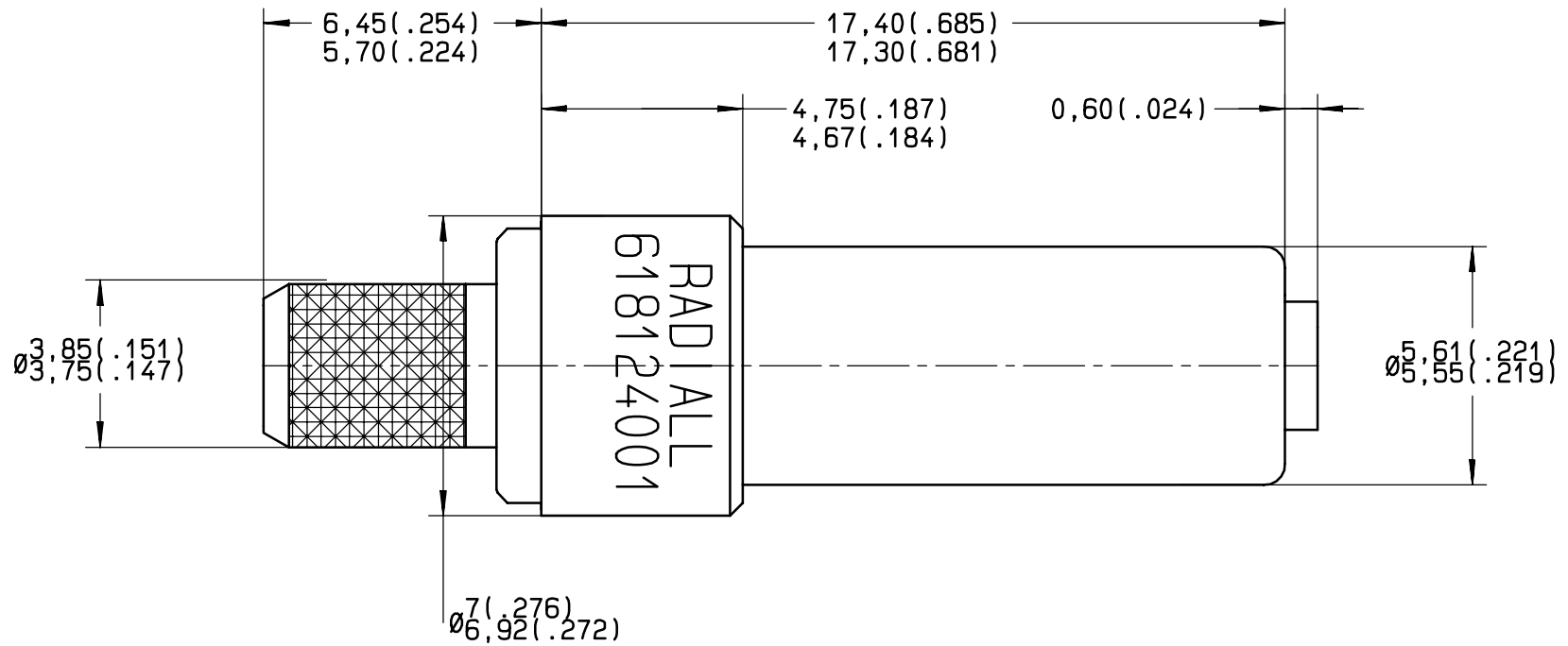


Series  
MPX

SIZE 5 PIN COAXIAL CONTACT  
FOR ASNE 0691WM CABLE  
/

Issue:  
11 JULY 00

Page  
1 / 1



**MATERIAL:**

- OUTER CONTACT: BRASS
- INSULATOR: PTFE
- CENTER CONTACT : BERYLIUM COPPER
- FERRULE: BRASS
- SEALING BOOTH: FLUROSILICONE ELASTOMER PER MIL-R-25988 OR PER ZZ-R-765

**FINISH:**

- ALL METALLIC PARTS: PLATING .00005 INCH OF GOLD PER MIL-G-45204 TYPE I OR II, GRADE C OR D, CLASS 1 OVER NICKEL PER QQ-N-290

This information is given as an indication. In the continual goal to improve our products, we reserve the right to make any modifications judged necessary.

4112-9610

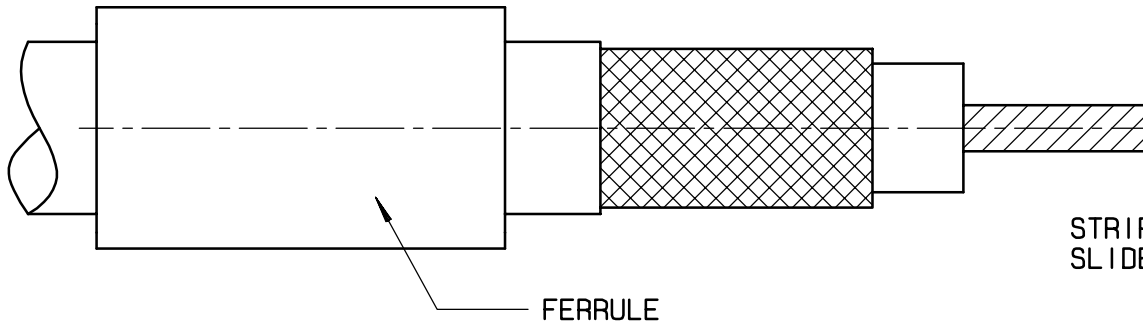
CREATION	Issue	Revisions	Name	Approved
PEN: M980001369B				
NOM: HASCOET				
DATE: 11 JULY 00				
APPR.: .				

**RADIALL**<sup>®</sup>

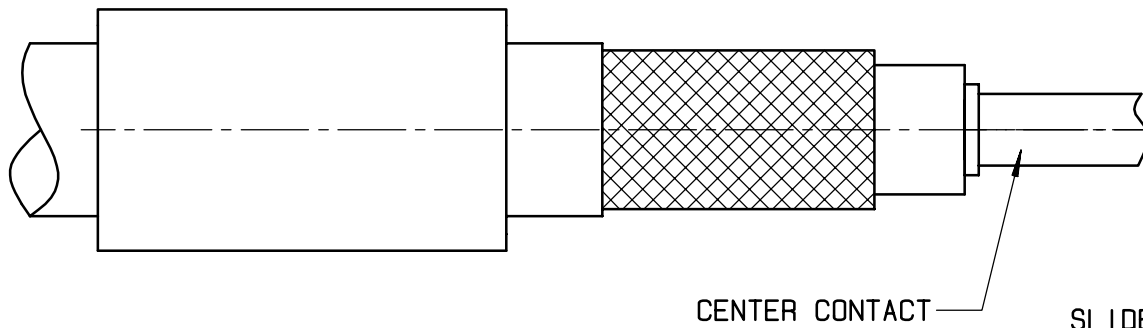
101, rue Philibert Hoffmann Z.I. Ouest  
93116 ROSNY/BOIS Cedex (France)  
Tl.: 01 49 35 35 35  
Fax.: 01 48 54 63 63  
Tlax: RADIA 235220



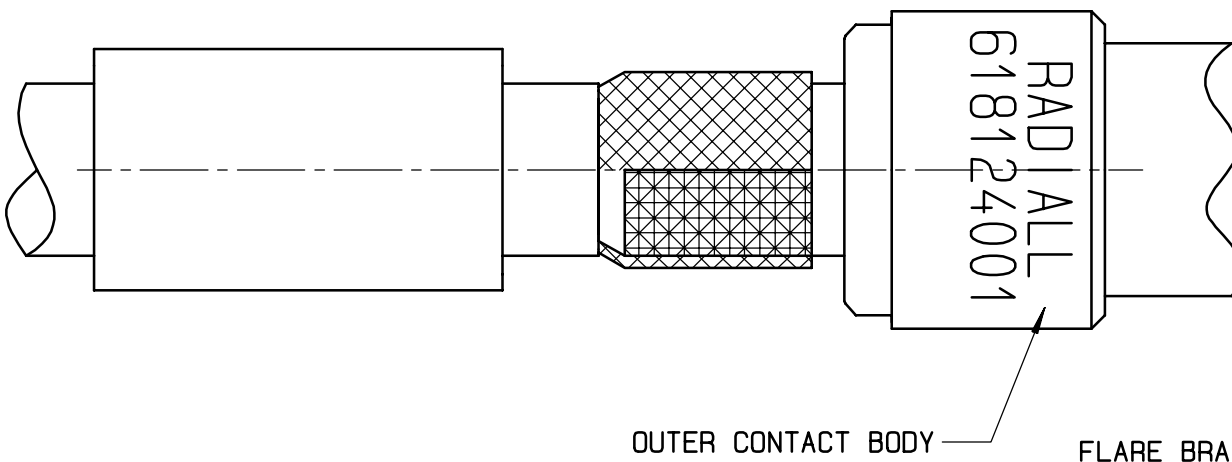
WIRING INSTRUCTION



STRIP AND CUT CABLE TO DIMENSIONS SHOWN ABOVE.  
SLIDE FERRULE OVER THE CABLE.



SLIDE CENTER CONTACT BARREL OVER CABLE CONDUCTOR.  
CONTACT SHOULDER BUTTING AGAINST CABLE DIELECTRIC.  
CRIMP CENTER CONTACT:  
CRIMPING TOOL M22520/2-01 (RADIAL 282281)  
SELECTOR ON 8  
POSITIONER K345 (RADIAL 282550)



FLARE BRAID, INSERT CENTER CONTACT INTO THE OUTER  
CONTACT BODY.  
PLACE BRAID OVER KNULED PART OF OUTER CONTACT BODY



SLIDE FERRULE OVER BRAID UNTIL IT BUTTS AGAINST  
SHOULDER OF OUTER CONTACT BODY.  
CRIMP FERRULE:  
CRIMPING TOOL M22520/5-01 (RADIAL 282293)  
DIE: M22520/5-05 (RADIAL 282246) HEX.B 4,5(.177)  
ON FLAT

This information is given as an indication. In the continual goal to improve our products, we reserve the right to make any modifications judged necessary.

4113\_9306