

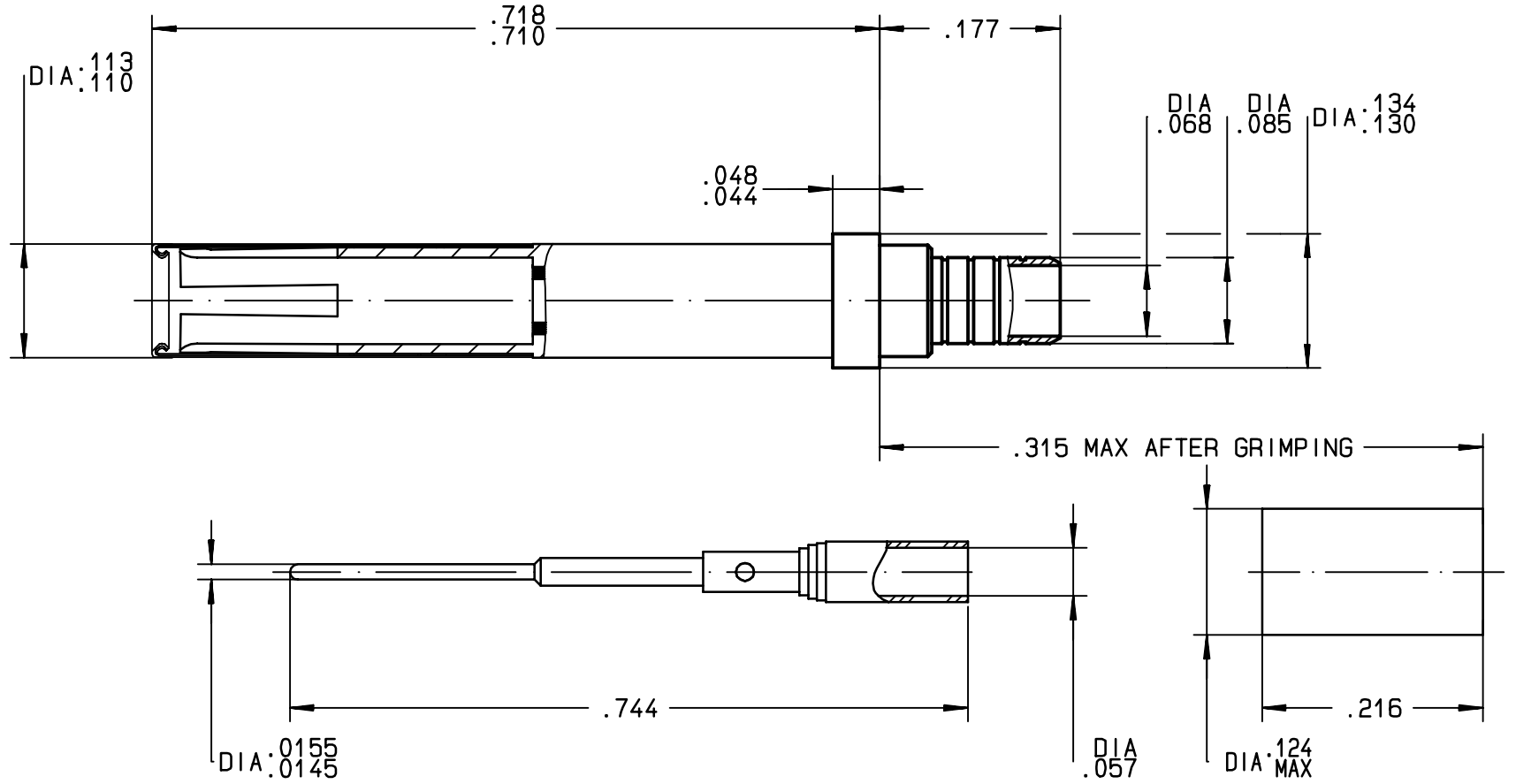


Series
MPX

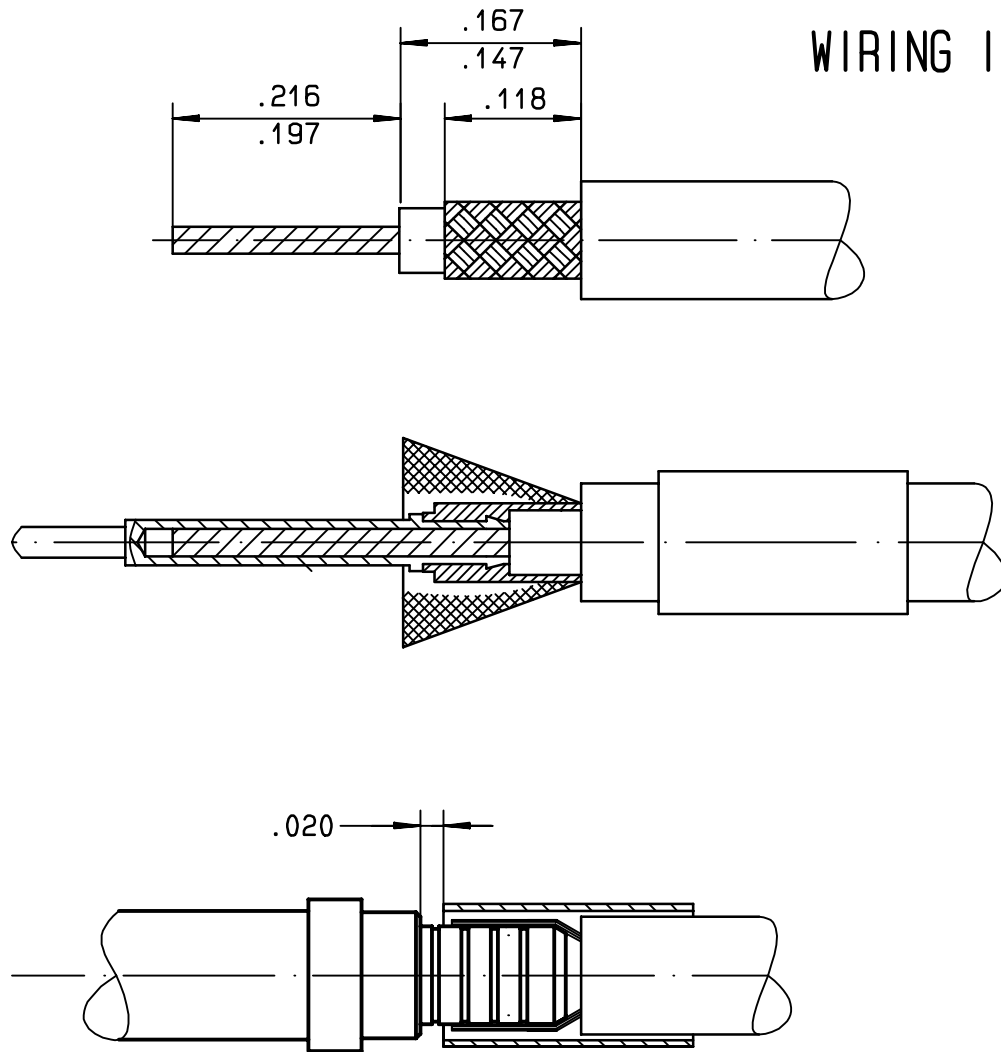
SIZE 16 COAXIAL SOCKET CONTACT CABLE
- ANXON P81-38-59 ET P82-28-17 - FILECA 1703/134 - ASNE 0690 WL

Issue:
11 AOUT 98

Page
1 / 1



WIRING INSTRUCTIONS



- 1 - STRIP THE CABLE AS SHOWN
- 2 - SLIDE FERRULE OVER SHEATH
 - FOLD BACK THE FIRST BRAID ON CABLE JACKET
 - CUT HIGH IMMUNITY RIBB ON .118 STRIP OFF LENGHT
 - FLARE SECOND BRAID
 - SLIDE CABLE IN CENTRAL CONTACT DIELECTRIC AGAINT THE SLEEVE
 - CRIMP CENTRAL CONTACT
 - TOOL M22520/2-01 (RADIALL 282 281)
 - SELECTOR SET 2
 - POSITIONNER (DANIELS K 370) (RADIALL 282 555)
- 3 - PUSH CABLE ASSEMBLY IN TO BODY CONTACT
 - FOLD BRAID OVER BARREL
 - SLIDE FERRULE TO .020 OF SHOULDER BARREL
 - CRIMP THE FERRULE A FIRST TIME
 - TURN THE CONTACT OF ABOUT 45°
 - CRIMP THE FERRULE A SECONDE TIME
 - TOOL M 22520/4-01 (RADIALL 282292)
 - POSITIONNER (RADIALL 282556)
 - REMOVABLE TOOL (RADIALL 282892)

This information is given as an indication. In the continual goal to improve our products, we reserve the right to make any modifications judged necessary.

CREATION				
PEN: 89066				
NOM: FALETTI				
DATE: 12 JUIN 90				
APPR.: .	11-08-98	ADDED CABLE ASNE + REDRAWN IN CAO	D.FERRER	
	Issue	Revisions	Name	Approved