

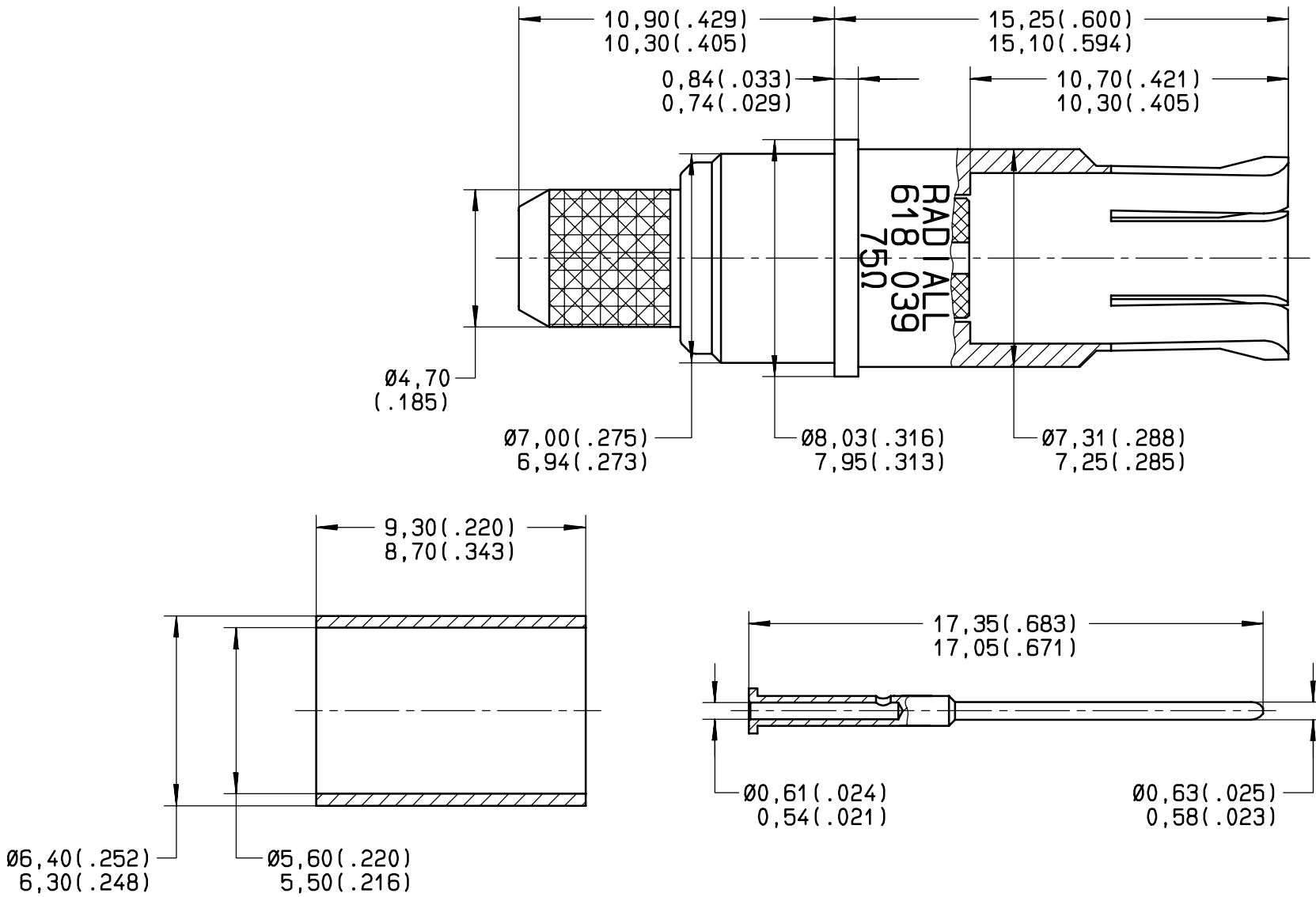


Series
MPX

SIZE 8 CRIMP COAX SOCKET CONTACT 75Ω
FOR HABIA CABLE P/N: 402FJ-75

Issue:
21 MAY 2002

Page
1 / 1



MATERIAL:

OUTER CONTACT: BERYLLIUM COPPER PER ASTM-B-196
CENTER CONTACT: BERYLLIUM COPPER PER ASTM-B-196
FERRULE: BRASS PER QQ-B-626
DIELECTRIC: TPFE PER ASTM-D-1710 OR EQUIVALENT

FINISH:

ALL METAL PARTS: GOLD PER MIL-G-45204 TYPE I OR II, GRADE C OR D, CLASS 1 OVER NICKEL PER QQ-N-290

DESIGN REQUIREMENT

TEMPERATURE RANGE: -65°C +150°C
IMPEDANCE: 75 Ω NOMINAL
RATED VOLTAGE AT SEA LEVEL: 325 V RMS AT SEA LEVEL
DIELECTRIC WITHSTANDING VOLTAGE: 750 V RMS AT SEA LEVEL
FREQUENCY RANGE: 0 TO 500MHz
VSWR: 1.10/1 AT 0 TO 300MHz
VSWR: 1.30/1 AT 300 TO 500MHz

TOOLING:

CENTER CONTACT: CRIMPING TOOL M22520/2-01 (RADIAL 282281)
SELECTOR ON 5
POSITIONER 282587 (DANIELS K1025-S)
FERRULE: CRIMPING TOOL M22520/5-01 (RADIAL 282293)
DIE M22520/5-05 (RADIAL 282246)
HEX A 5,40 (.213) / FLATS

EXTRACTION TOOL: M81969/28-03 (RADIAL 282549001)

WIRING INSTRUCTIONS: SEE RP56086

This information is given as an indication. In the continual goal to improve our products, we reserve the right to make any modifications judged necessary.

CREATION
PEN: M010106260C
NOM: MACARI
DATE: 22 FEB.02
APPR.: .	21 MAY 02	MODIF HEX AND ADDED SELECTOR : 5	COUTHON	DUPUIS
	Issue	Revisions	Name	Approved