

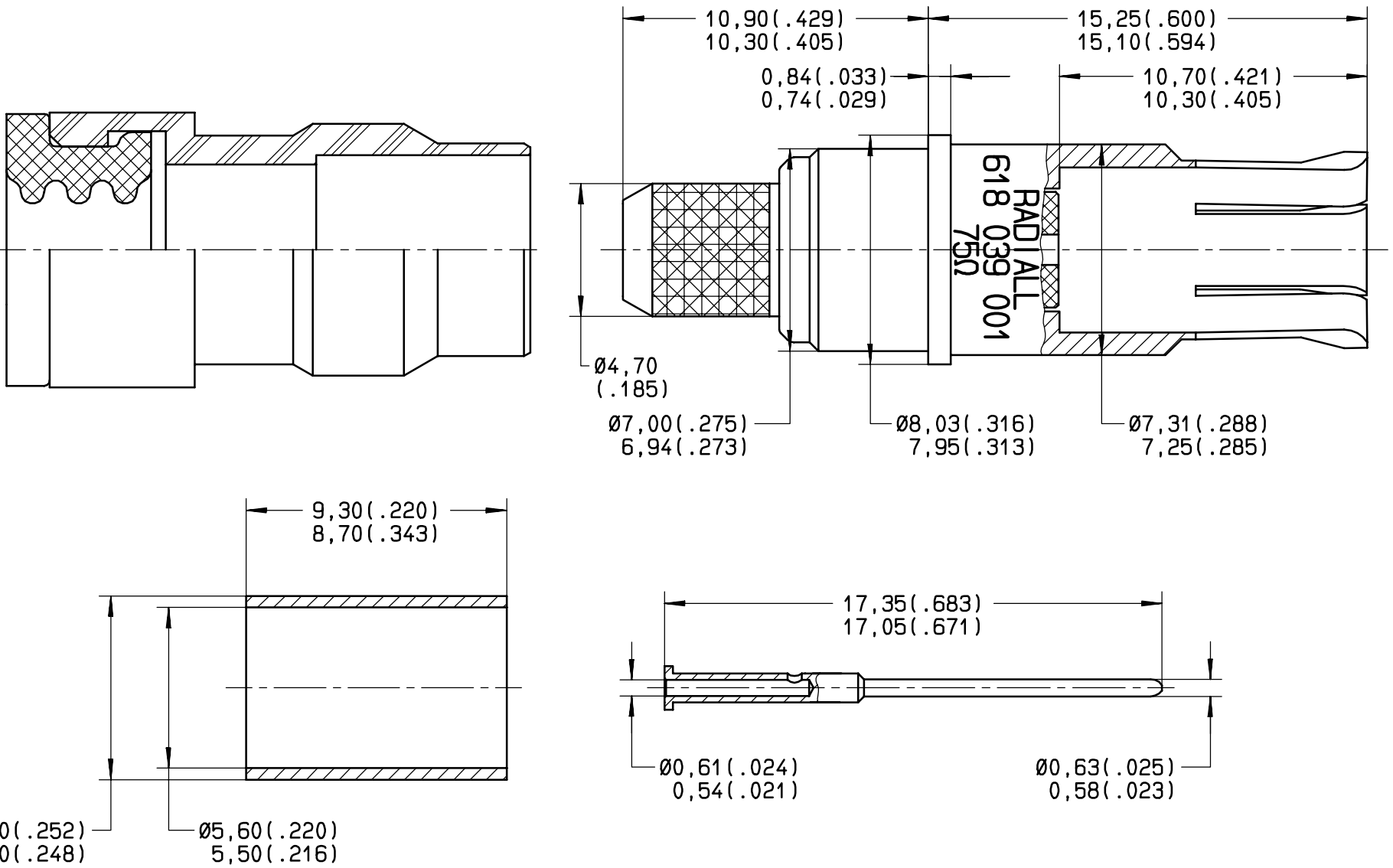


Series
MPX

SIZE 8 CRIMP COAX SOCKET CONTACT 75Ω (ENVIRONMENTAL)
FOR HABIA CABLE P/N: 402FJ-75

Issue:
22 FEB.02

Page
1 / 1



MATERIAL:

OUTER CONTACT: BERYLLIUM COPPER PER ASTM-B-196
 CENTER CONTACT: BERYLLIUM COPPER PER ASTM-B-196
 FERRULE: BRASS PER QQ-B-626
 DIELECTRIC: TPFE PER ASTM-D-1710 OR EQUIVALENT
 SEALING BOOT: THERMOPLASTIC PER MIL 46174 AND
 FLUOROSILICONE ELASTOMER PER MIL-R-25988 OR ZZ-R-765

FINISH:

ALL METAL PARTS: GOLD PER MIL-G-45204 TYPE I OR II, GRADE C OR D, CLASS 1 OVER NICKEL PER QQ-N-290

DESIGN REQUIREMENT

TEMPERATURE RANGE: -65°C +150°C
 IMPEDANCE: 75 Ω NOMINAL
 RATED VOLTAGE AT SEA LEVEL: 325 V RMS AT SEA LEVEL
 DIELECTRIC WITHSTANDING VOLTAGE: 750 V RMS AT SEA LEVEL
 FREQUENCY RANGE: 0 TO 500MHz
 VSWR: 1.10/1 AT 0 TO 300MHz
 VSWR: 1.30/1 AT 300 TO 500MHz

TOOLING:

CENTER CONTACT: CRIMPING TOOL M22520/2-01 (RADIALL 282281)
 SELECTOR ON TBD
 POSITIONER 282587 (DANIELS K1025-S)
 FERRULE: CRIMPING TOOL M22520/5-01 (RADIALL 282293)
 DIE M22520/5-05 (RADIALL 282246)
 HEX B 4,50 (.178) / FLATS

EXTRACTION TOOL: M81969/28-03 (RADIALL 282549001)

WIRING INSTRUCTIONS: SEE RP56086

This information is given as an indication. In the continual goal to improve our products, we reserve the right to make any modifications judged necessary.

CREATION
PEN: M010106260C
NOM: MACARI
DATE: 22 FEB.02
APPR.:
	Issue	Revisions	Name	Approved