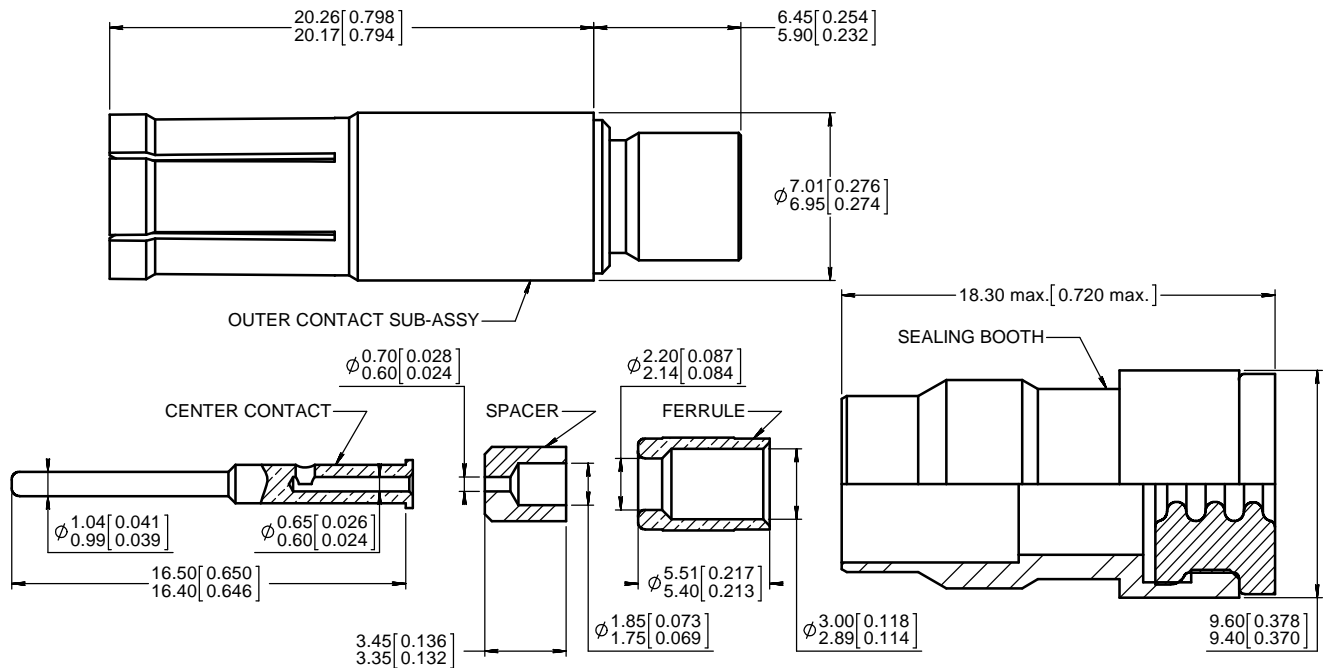


Series
MPX

ENVIRONMENTAL SIZE 5 SOCKET COAX
FOR RG179 AND RG187 CABLES

Issue:
May 16, 2014

Page
1/1



MATERIAL :

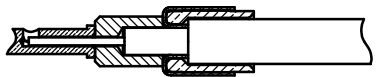
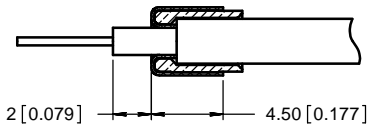
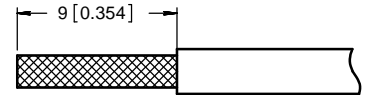
- OUTER CONTACT : BERYLLIUM COPPER PER ASTM B 196
- CENTER CONTACT : LEADED NICKEL COPPER
- FERRULE : BRASS PER ASTM B 16 OR EN 12164 OR EN 12166
- INSULATOR AND SPACER : PTFE PER ASTM D 1710 OR EQUIVALENT
- SEALING BOOT : THERMOPLASTIC PER MIL-P-46184 AND FLUOROSILICONE PER MIL-R-25988 OR PER ZZ-R-765

FINISH :

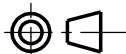
- ALL METALIC PARTS : PLATING .00005 INCH OF GOLD PER MIL-DTL-45204 OVER NICKEL PER AMS 2403

WIRING INSTRUCTION :

- STRIP THE CABLE AS SHOWN.
- SLIDE FERRULE OVER BRAID UNTIL IT BUTTS AGAINST SHEATH. COMB AND FOLD BRAID OVER FERRULE. CUT TO DIMENSION. THEN STRIP DIELECTRIC TO DIMENSION SHOWN
- SLIDE INSULATOR OVER THE CENTER CONDUCTOR
- INSERT CENTER CONDUCTOR INTO CENTER CONTACT SUB-ASSEMBLY CRIMP CENTER CONTACT.
USE : TOOL M22520/2-01 (RADIALL 282281)
SELECTOR N °7
POSITIONNER DANIELS K345 (RADIALL 282550)
- PUSH CABLE ASSEMBLY INTO BODY CONTACT
CRIMP USING : M22520/5-01 (RADIALL 282293)
DIE : M22520/5-05 (RADIALL 282246) HEX. B.



DIMENSIONS : mm (inch are given for information only)



Estimated weight : 4.5 g

CREATION

PEN:

NOM: RAMOS D.

DATE: May 16, 2014

APPR.: DUPUIS V.

Issue	Revisions	Name	Approved