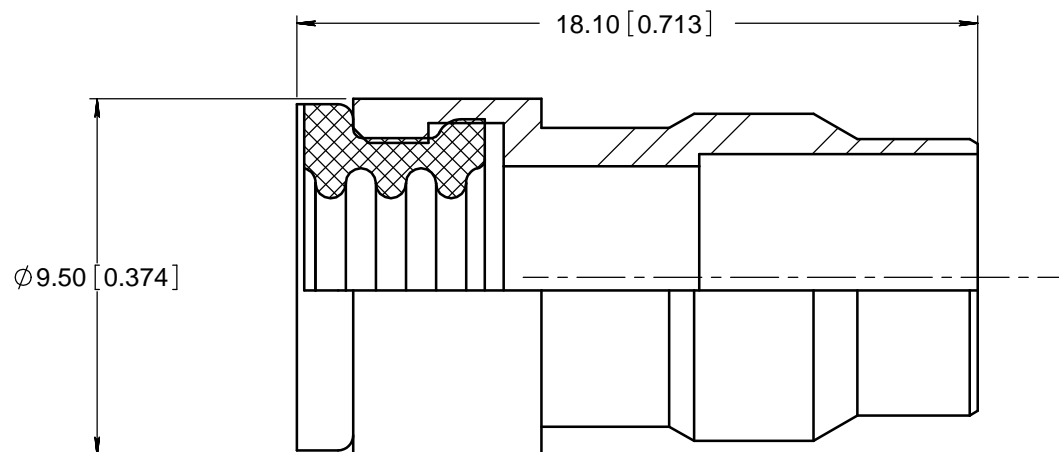
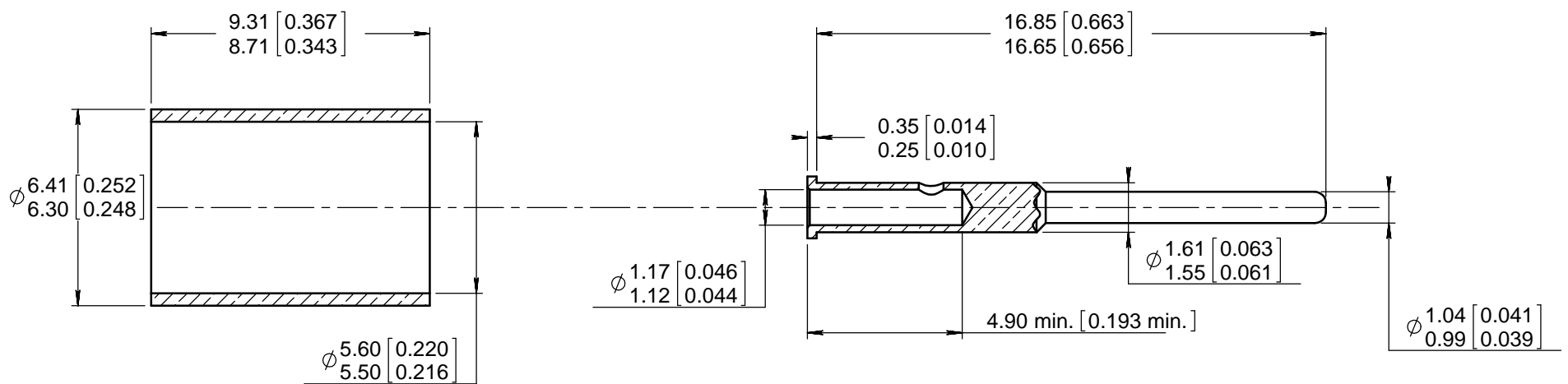
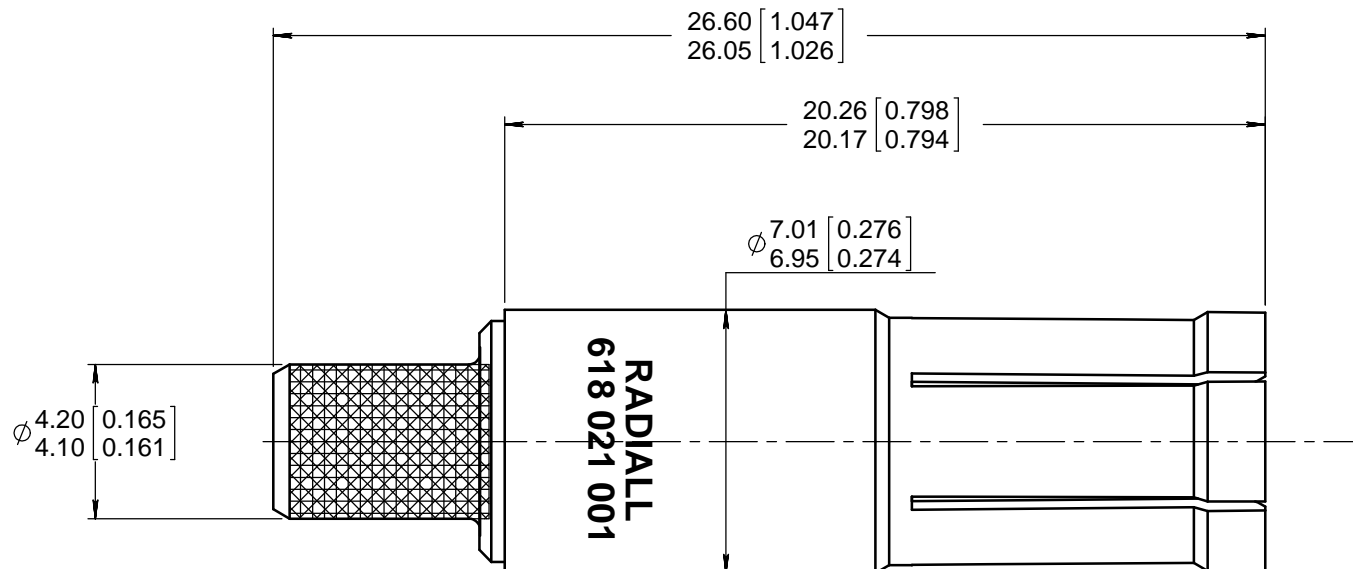


Series
MPX

SIZE 5 SOCKET COAXIAL CONTACT
FOR RG 142 ; RG 400 ; RG 223 AND ASNE0293XF CABLES

Issue:
NOV. 25, 13

Page
1/2



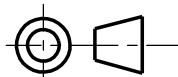
*** MATERIAL :**

- CONTACT : BODY : BERYLIUM COPPER PER ASTM-B-196
CENTER CONTACT AND FERRULE : ANNEALED BRASS
- SEALING BOOT : FLUROSILICONE ELASTOMER PER MIL-R-25988 OR PER ZZ-R-765

*** FINISH :**

- ALL METALLIC PARTS : PLATING .00005 INCH OF GOLD PER MIL-G-45204 TYPE I OR II GRADE C OR D CLASS 1 OVER NICKEL PER QQ-N-290.

DIMENSIONS : mm (inch are given for information only)



This information is given as an indication. In the continual goal to improve our products, we reserve the right to make any modifications judged necessary.

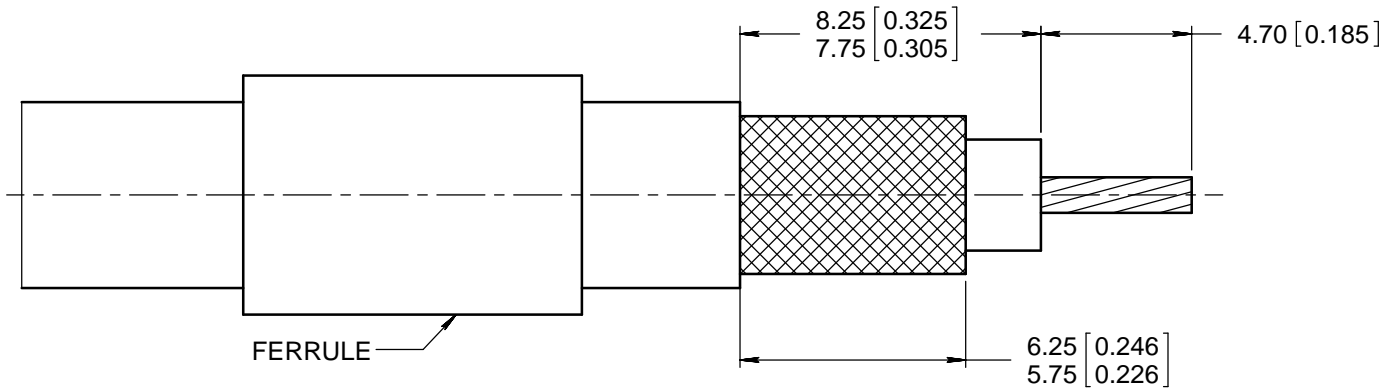
4112_9311

CREATION PEN: NOM: MACARI DATE: OCT. 21, 1998 APPR.: DUPUIS	NOV. 25, 13	MODIFICATION : 20,28/20,17 => 20,26/20,17	ZUNIGA	DUPUIS
	DEC. 13, 10	STRIPPING DIMENSION BECOMES 4,7mm ASNE0293XF ADDED IN DESIGNATION	LALLOZ	BROCHET
	DEC. 06, 10	ϕ 4.10-4.20 ADDED, ϕ 6,39-6,32 => ϕ 6,41-6,30 WIRING INSTRUCTIONS PAGE 2 UPDATED	LALLOZ	BROCHET
	OCT. 27, 10	MODIFICATION : 20,27/20,17 => 20,28/20,17 ; 16,50/16,40 => 16,85/16,65 AND 9,30/8,70 => 9,31/8,71	MARY	LEGENDRE
	Issue	Revisions	Name	Approved

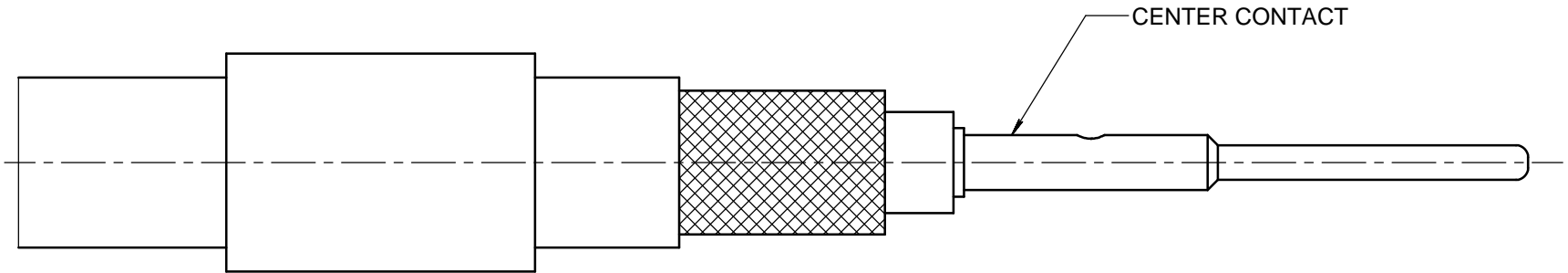
WIRING INSTRUCTION

STEP 1/
SLIDE SEALING BOOT OVER CABLE

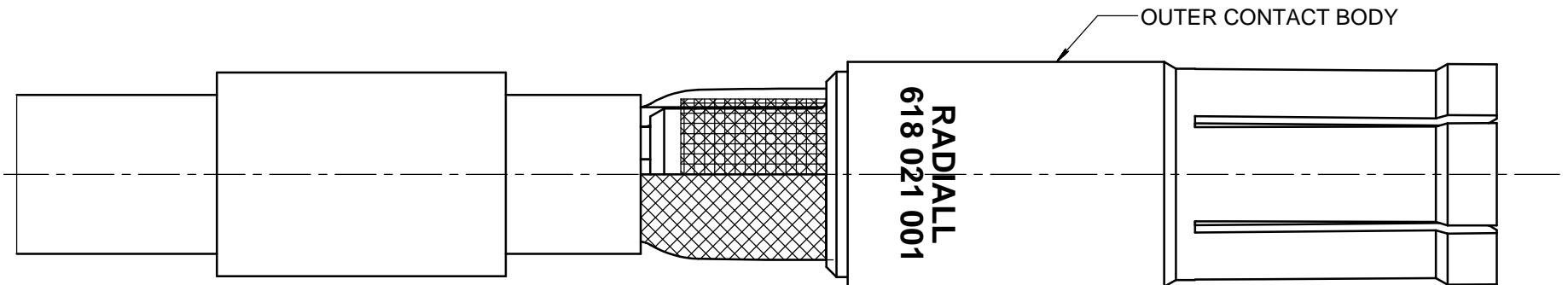
STEP 2/
SLIDE FERRULE OVER OUTER JACKET, NEXT TRIM OUTER JACKET, BRAID AND DIELECTRIC TO DIMENSIONS SHOWN



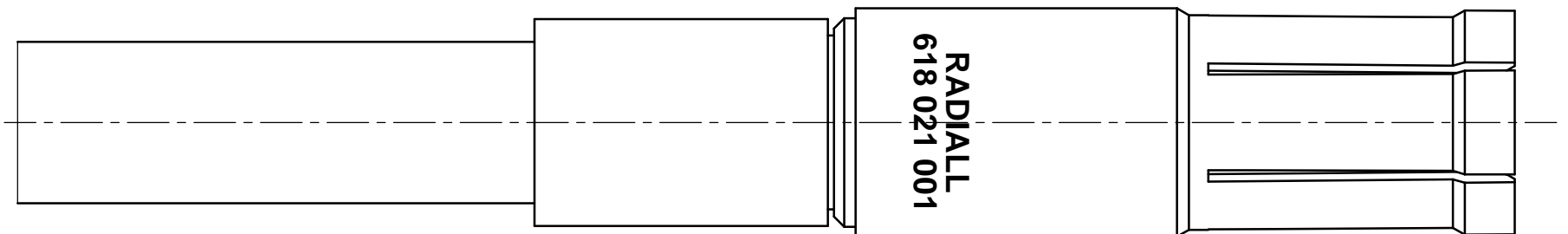
STEP 3/
SLIDE CENTER CONTACT BARREL OVER CABLE CONDUCTOR
CONTACT SHOULDER BUTTING AGAINST CABLE DIELECTRIC
CRIMP CENTER CONTACT USING :
CRIMPING TOOL : M22520/2.01 (RADIALL 282281)
SELECTOR ON 6 FOR RG400 AND ASNE0293XF
ON 8 FOR RG142 AND RG223
POSITIONER : DANIELS K345 (RADIALL 282550)



STEP 4/
FLARE BRAID, INSERT CENTER CONTACT INTO THE OUTER CONTACT BODY
PLACE BRAID OVER KNURLED PART OF OUTER CONTACT BODY



STEP 5/
SLIDE FERRULE OVER BRAID UNTIL IT BUTTS AGAINST SHOULDER OF OUTER CONTACT BODY
CRIMP FERRULE USING :
CRIMPING TOOL : M22520/5.01 (RADIALL 282293)
DIE : M22520/5.05 (RADIALL 282246) HEX A



4112_9311 This information is given as an indication. In the continual goal to improve our products, we reserve the right to make any modifications judged necessary.