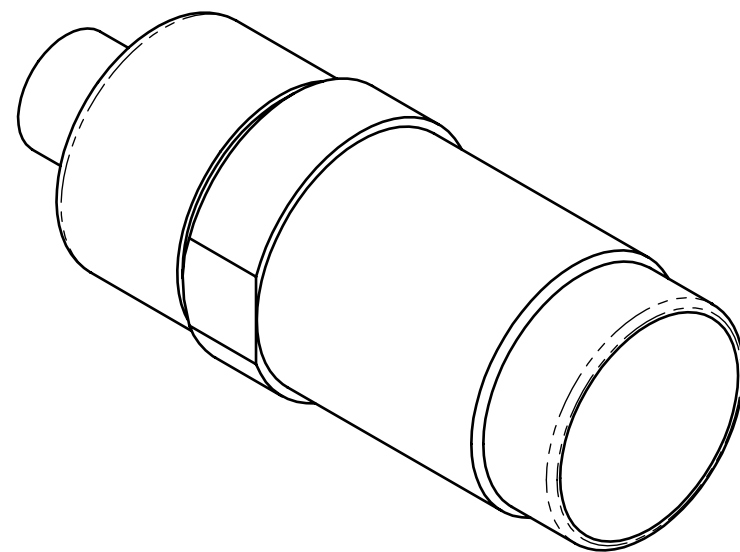
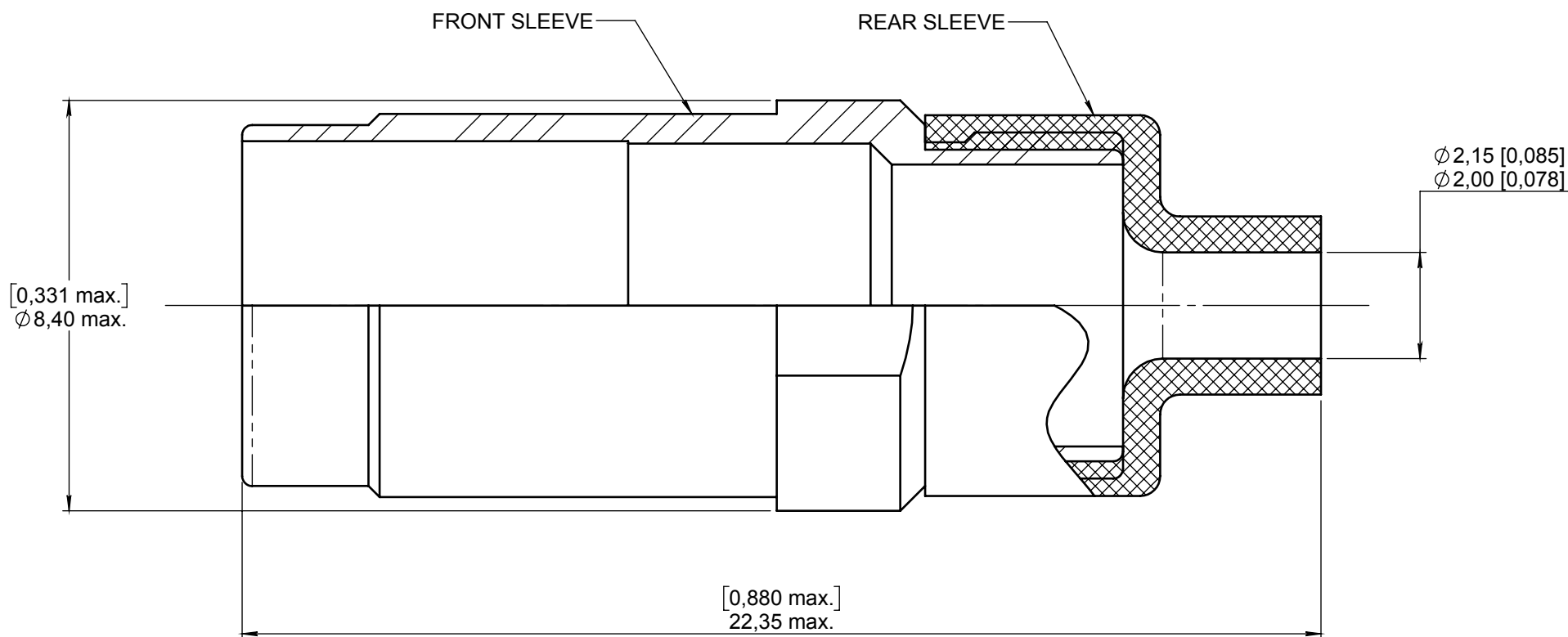


Series  
EPXB

SEALING BOOT FOR SIZE 5 CAVITY  
For BMS13-48 T10 C01 G12 & BMS13-58 T01 C01 G12

Issue:  
Jul. 12, 2018

Page  
1/1



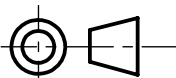
**MATERIALS :**

- REAR SLEEVE : Fluorosilicone per MIL-R-25988 B except 4.6.6.1.
- FRONT SLEEVE : Thermoplastic per ASTM-D-4067.

**NOTE :**

- Sealing boot designed for cables from Ø2.59 [.102] to Ø3.45 [.136] diameter.

**DIMENSIONS : mm (inch are given for information only)**



Estimated weight : 0.60 g

|   |             |  |          |          |
|---|-------------|--|----------|----------|
| <b>CREATION</b><br>PEN: EPM12011<br>NOM: PAILOT N.<br>DATE: Feb 13, 2013<br>APPR.: LE GLOAHEC Y |             |  |          |          |
|   |             |  |          |          |
|   |             |  |          |          |
|   | Jul. 12, 18 | Correction on dimension in inch for 2,00 [0,078] | Lopez C. | Weih H.  |
|   | Issue       | Revisions  | Name     | Approved |

This document contains proprietary information and such information shall not be disclosed to any third party for any purpose whatsoever or used for manufacturing purposes without prior written agreement from RADIALL. This information is given as an indication. In the continual goal to improve our products, we reserve the right to make any modifications judged necessary.

4112\_9311