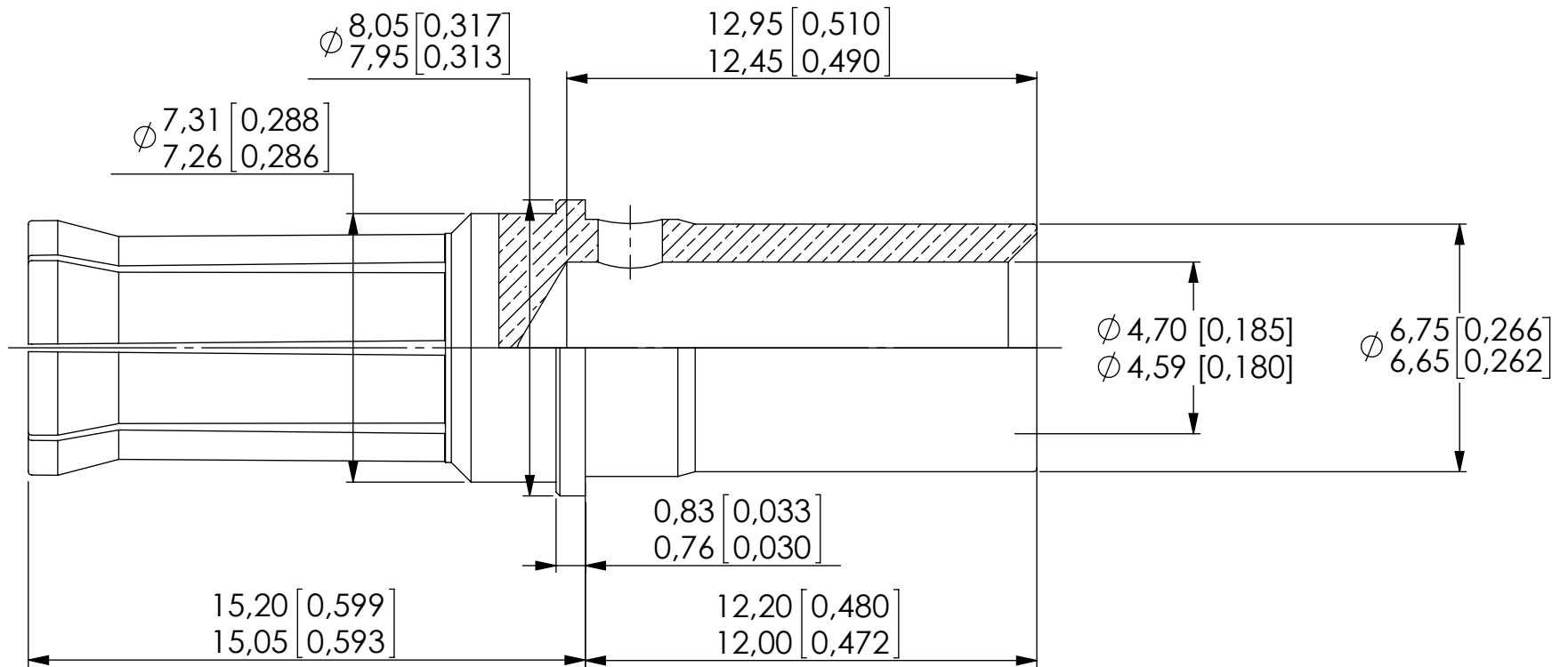
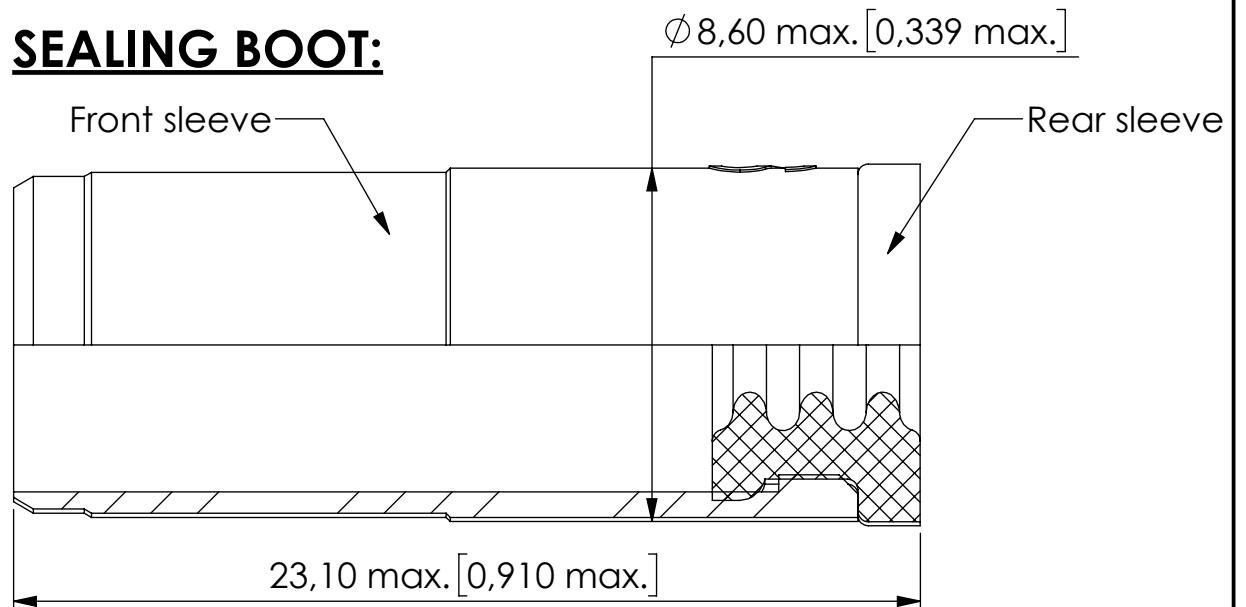
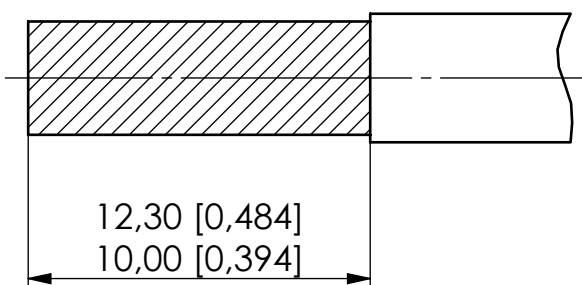


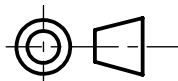
**Series
EPXB**
**ENVIRONMENTAL SIZE 8 POWER SOCKET CRIMP CONTACT
FOR AWG 8 CABLE**
**Issue:
Mar. 09, 2020**
**Page
1/1**

SEALING BOOT:
Cable stripped length:

MATERIALS & FINISHES :

- CONTACT BODY : Copper alloy, gold over nickel plated,
- ENVIRONMENTAL SLEEVE :
Rear : Fluorosilicone
Front : Thermoplastic

CRIMPING TOOL : M22520/23-01
 DIE SET : M22520/23-02
 LOCATOR : RADIALL P/N : 282588
 EXTRACTION TOOL : RADIALL P/N : 282549001

NOTE:

- Environmental sleeve used with cable diameter from Ø4,00 [0,157] to Ø4,90 [0,193]

DIMENSIONS : mm (inch are given for information only)


Estimated weight : 5,2 g

CREATION PEN: 20188355-20 NOM: WEIHS H. DATE: Apr. 23, 2018 APPR.: MOUTAULT W				
	Mar. 09, 20	Removed the note: PRODUCT NOT QUALIFIED	LOPEZ C.	WEIHS H.
	Aug. 21, 18	Updated information to be conform with similar TDS: 617391002 & 617939003	LOPEZ C.	WEIHS H.
	Issue	Revisions	Name	Approved