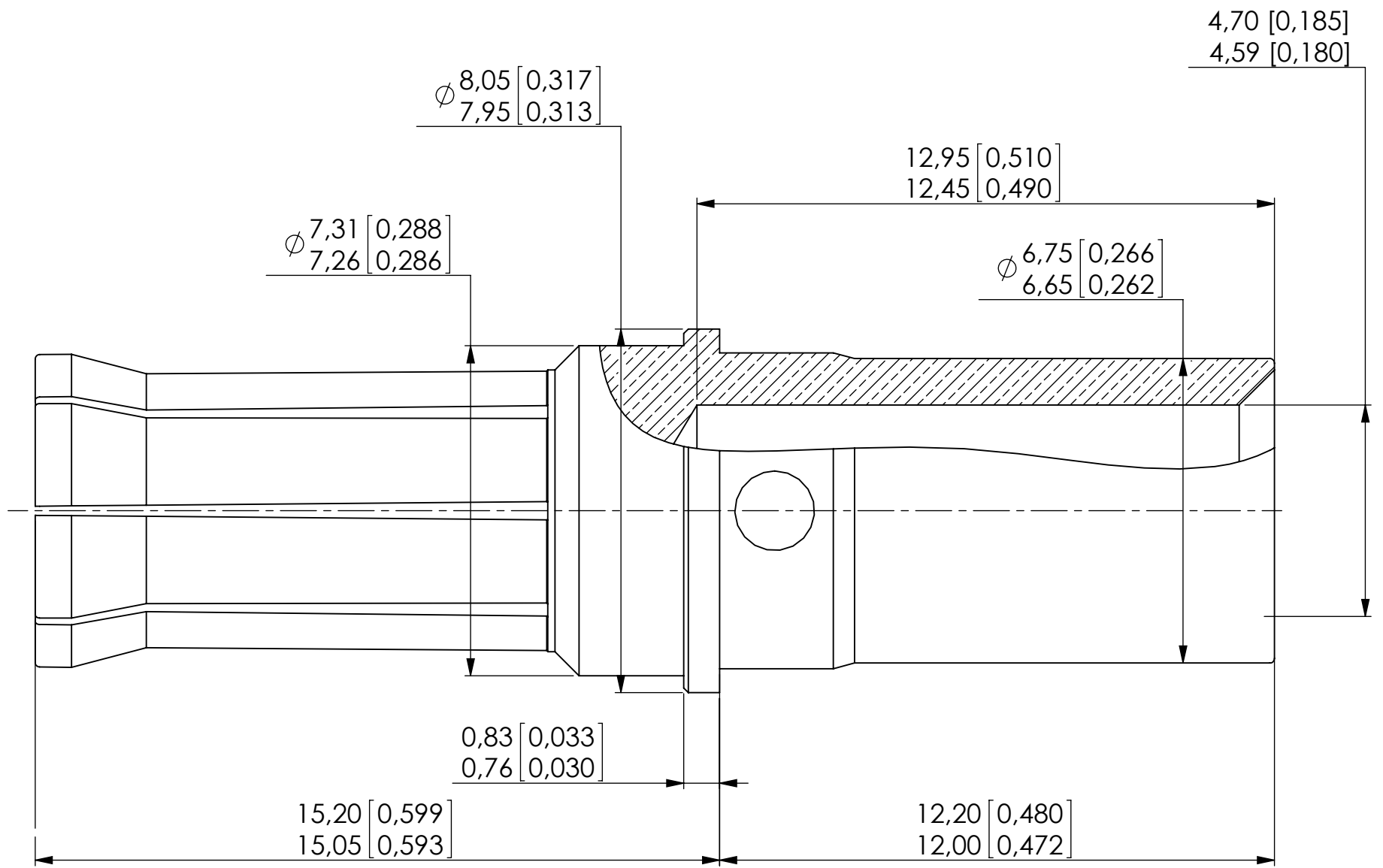


Series
EPXB

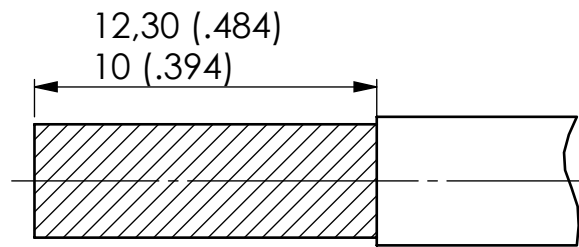
SIZE 8 POWER SOCKET CRIMP CONTACT

Issue:
Jul. 12, 2018

Page
1/1



Cable stripped length:

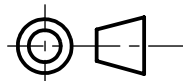


MATERIAL AND FINISH: COPPER ALLOY, GOLD OVER NICKEL.

CRIMPING TOOL : M22520/23-01
 DIE SET : M22520/23-02
 LOCATOR: RADIALL P/N: 282 588
 REMOVABLE TOOL : RADIALL P/N: 282 549 001

Note:
 In order to ensure the SAE AS39029 tensile strength requirements for any wire plating, RADIALL recommend to use MS3348-8-10 bushing when crimped to AWG 10 cable.

DIMENSIONS : mm (inch) -



Estimated weight: 4.5 g

This information is given as an indication. In the continual goal to improve our products, we reserve the right to make any modifications judged necessary.

4112_9311

CREATION				
PEN: M050400090A				
NOM: M.PESSARD	Jul. 12, 18	Dimensions corrected, in accordance with standard EN3155-076	Lopez C.	Weihls H.
DATE: July 15, 2005	Oct 20, 14	Note added	YON P.	VIEIRA D.
APPR.: C.LAHOREAU	Mar 01, 06	Add cable stripped length	ARNAULT	M.PESSARD
	Aug 11, 05	Removable tool PN modification	D.HUGER	M.PESSARD
	Issue	Revisions	Name	Approved