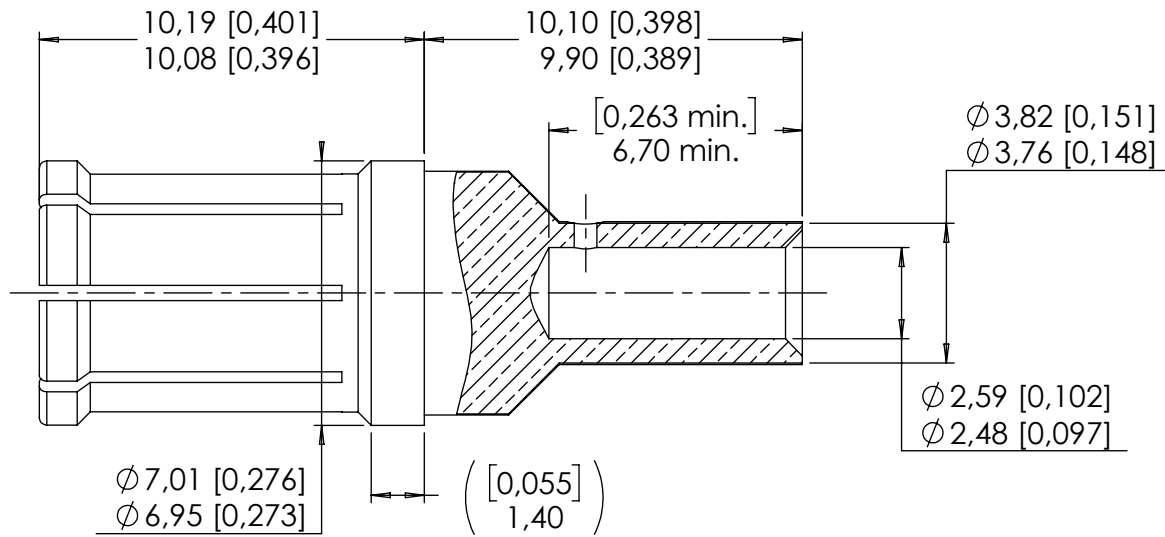
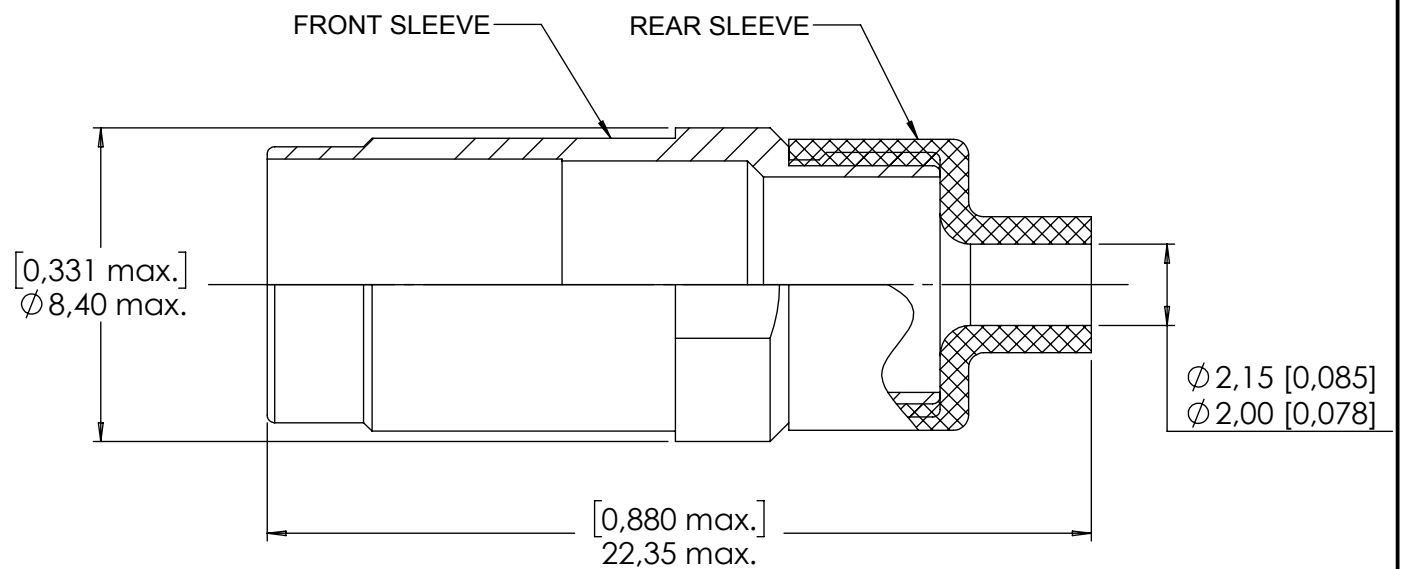
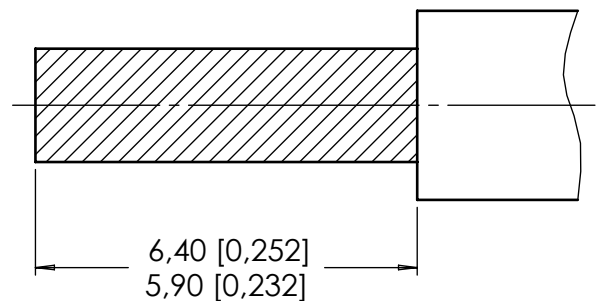


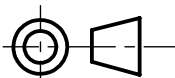
Series
EPX
ENVIRONMENTAL SIZE 5 POWER CRIMP SOCKET CONTACT
FOR AWG 12 & AWG 16 CABLES
Issue:
Mar. 09, 2020
Page
1/1

Environmental sleeve:

Cable stripped length:

MATERIALS AND FINISHES:

- CONTACT BODY: Beryllium copper; gold over nickel plated,
- ENVIRONMENTAL SLEEVE:
 - Rear: Fluorosilicone.
 - Front: Thermoplastic.

CRIMPING TOOL: RADIALL P/N : 282613
POSITIONER: RADIALL P/N : 282586005
SELECTOR SETTING:
 FOR AWG 16: 4
 FOR AWG 12: 6
EXTRACTION TOOL: M81969/28-01, RADIALL P/N: 282946.

NOTE:

- Environmental sleeve used with cable diameter from ϕ 2,59 [0,102] to ϕ 3,45 [0,136]

DIMENSIONS : mm (inch are given for information only)


Estimated weight : 3,1 g

This document contains proprietary information and such information shall not be disclosed to any third party for any purpose whatsoever or used for manufacturing purposes without prior written agreement from RADIALL. This information is given as an indication. In the continual goal to improve our products, we reserve the right to make any modifications judged necessary.

4112_9311

CREATION				
PEN: 201910107-10				
NOM: LOPEZ C.				
DATE: Jun. 11, 2019				
APPR.: WEIHS H.	Mar. 09, 20	Removed the note: PRODUCT NOT QUALIFIED	LOPEZ C.	WEIHS H.
	Issue	Revisions	Name	Approved