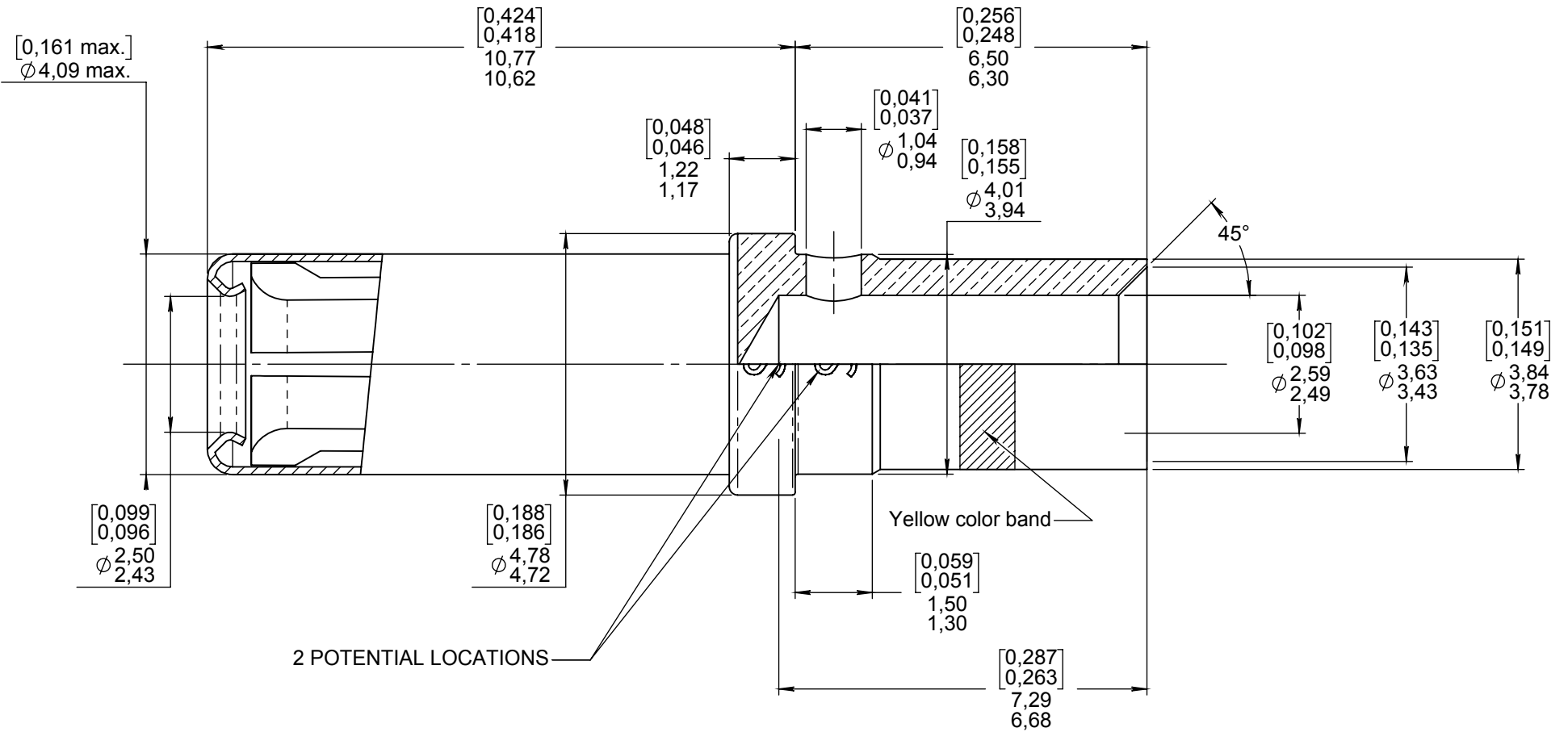


Series
EPX
SIZE 12 CRIMP SOCKET CONTACT
Issue:
Dec. 17, 2018
Page
1/1

MATERIAL :

 CONTACT BODY : BERYLLIUM COPPER PER ASTM B 196
 PROTECTION SLEEVE : STAINLESS STEEL PER SAE AMS-5514

FINISH :

 CONTACT BODY : PLATING .00005 INCH OF GOLD PER SAE AMS-2422 OVER NICKEL PER SAE AMS-QQ-N-290
 PROTECTIVE SLEEVE : PASSIVATED PER SAE AMS-QQ-P-35

WIRING INSTRUCTIONS :

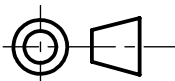
 WIRES ACCOMODATED : AWG 12 - 14 - 16
 INSULATION DIAMETER : 3.40 max (0.134)
 STRIP LENGTH : 6 (0.236)

TOOLING : (ORDERED SEPARATELY)

 CRIMPING TOOL : M22520/1-01 (RADIALL P/N : 282 291)
 SELECTOR POSITION : 8 FOR AWG 12
 7 FOR AWG 14
 6 FOR AWG 16

 POSITIONER : M22520/1-02 (RADIALL P/N : 282 972)
 INSERTION/EXTRACTION TOOL : M81969/14-04 (RADIALL P/N : 282 549 004)

Estimated weight : 0,99 g

DIMENSIONS : mm (inch are given for information only)


CREATION				
PEN:	Dec. 13, 18	Added estimated weight	Weihls H.	Lopez C.
	May 30, 16	Protective sleeve 4.01/4.09 >>> 4.09 max	YON P.	VIEIRA D.
	Jan 25, 08	Ins/ext tool updated	Pailot N.	Pessard M.
	May 16, 07	Add "16" in wires accomodated and "6 for AWG 16" in selector position, Dimensions updated	Malty S.	Pessard M.
	Oct 8 98	Syntax error: crack was creak ;updated finish : Ø1.04/0.94 was Ø1.05/0.95 ; added 2 "S" locations, 10.76[.424]/10.63[.418] was 10.75[.423]/10.50[.413], Ø4.09 [.161] was Ø4.01 [.159]	Garcia L.	Verneau O.
APPR.:	Issue	Revisions	Name	Approved