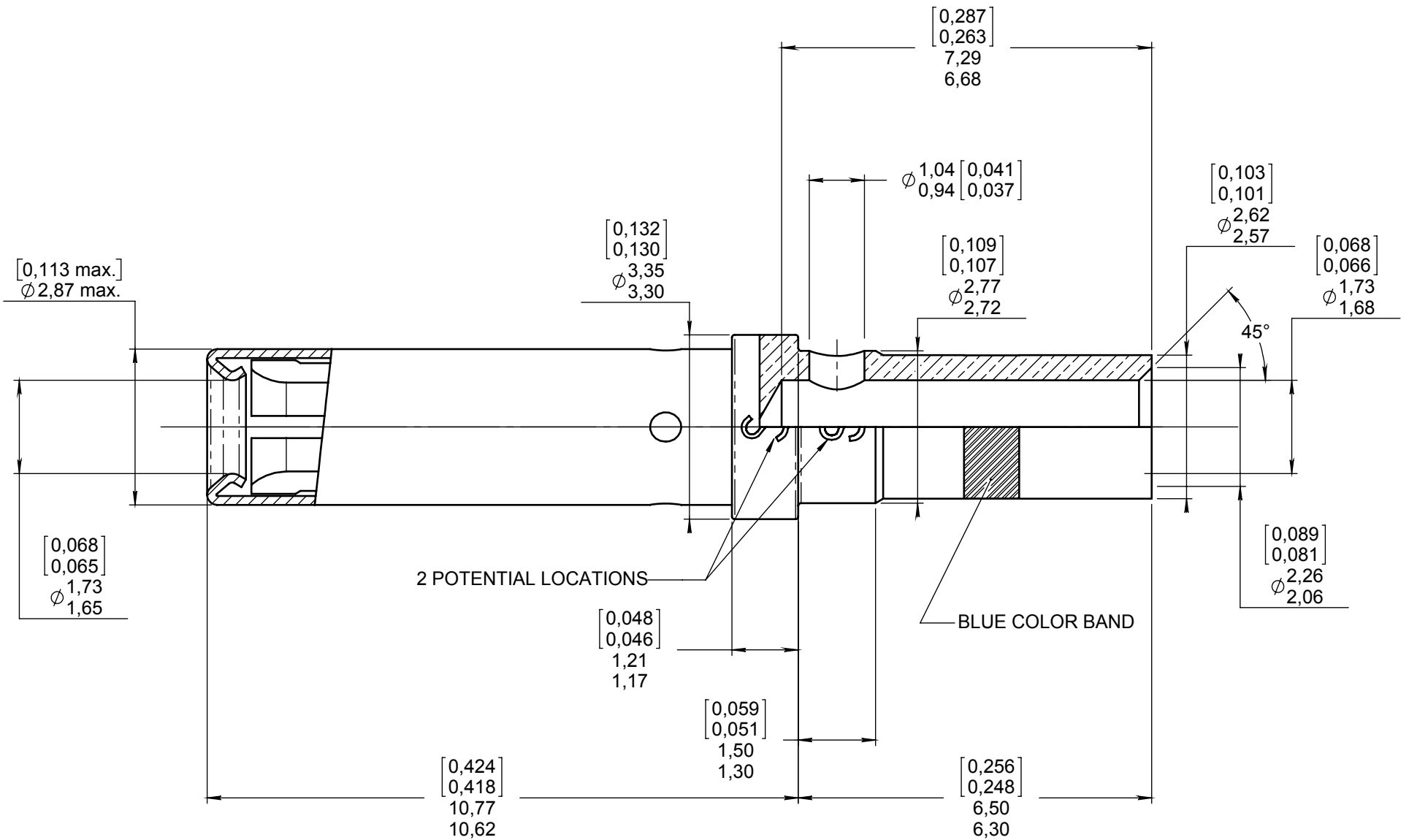


Series
EPX
SIZE 16 REAR REMOVABLE REAR RELEASE CRIMP SOCKET CONTACT
FOR AWG 16, 18 AND 20 CABLES
Issue:
Dec. 19, 2018
Page
1/1

MATERIAL :

CONTACT BODY : BERYLLIUM COPPER PER ASTM B 196

PROTECTION SLEEVE : STAINLESS STEEL PER SAE AMS-5514

FINISH :

CONTACT BODY : PLATING .00005 INCH OF GOLD PER SAE AMS-2422 OVER NICKEL PER SAE AMS-QQ-N-290

PROTECTIVE SLEEVE : PASSIVATED PER SAE AMS-QQ-P-35

WIRING INSTRUCTIONS :

WIRES ACCOMODATED : AWG 16 - 18 and 20

INSULATION DIAMETER : 2,60 max (.103)

STRIP LENGTH : 6 (.236)

TOOLING : (ORDERED SEPARATELY)

CRIMPING TOOL : M22520/1-01 (RADIALL P/N : 282291)

SELECTOR POSITION : 6 FOR AWG 16

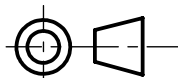
5 FOR AWG 18

4 FOR AWG 20

POSITIONER : M22520/1-02 (RADIALL P/N : 282972)

INS/EXT TOOL : M81969/1-03 (RADIALL P/N : 282546)

SPL RADIALL INS. 282 89929 / EXT. 282 892

DIMENSIONS : mm (inch are given for information only)


Estimated weight : 0,52 g

CREATION
PEN: .

NOM: MACARI

DATE: JAN 17 1990

APPR.: .

Issue	Revisions	Name	Approved
Dec. 19, 18	Added "S" marking to view	Weih's H.	Lopez C.
Dec. 13, 18	Correction of insulation diameter dimension	Weih's H.	Lopez C.
May 30, 16	Protective sleeve ø2.79/2.87 >>> 2.87 max	YON P.	VIEIRA D.
AUG 29 06	DIMENSION CONVERSION UPDATED	VALGRESY	L GARCIA

617340EN

RADIALL PROPRIETARY INFORMATION

This document contains proprietary information and such information shall not be disclosed to any third party for any purpose whatsoever or used for manufacturing purposes without prior written agreement from RADIALL. This information is given as an indication. In the continual goal to improve our products, we reserve the right to make any modifications judged necessary.

4112_9311