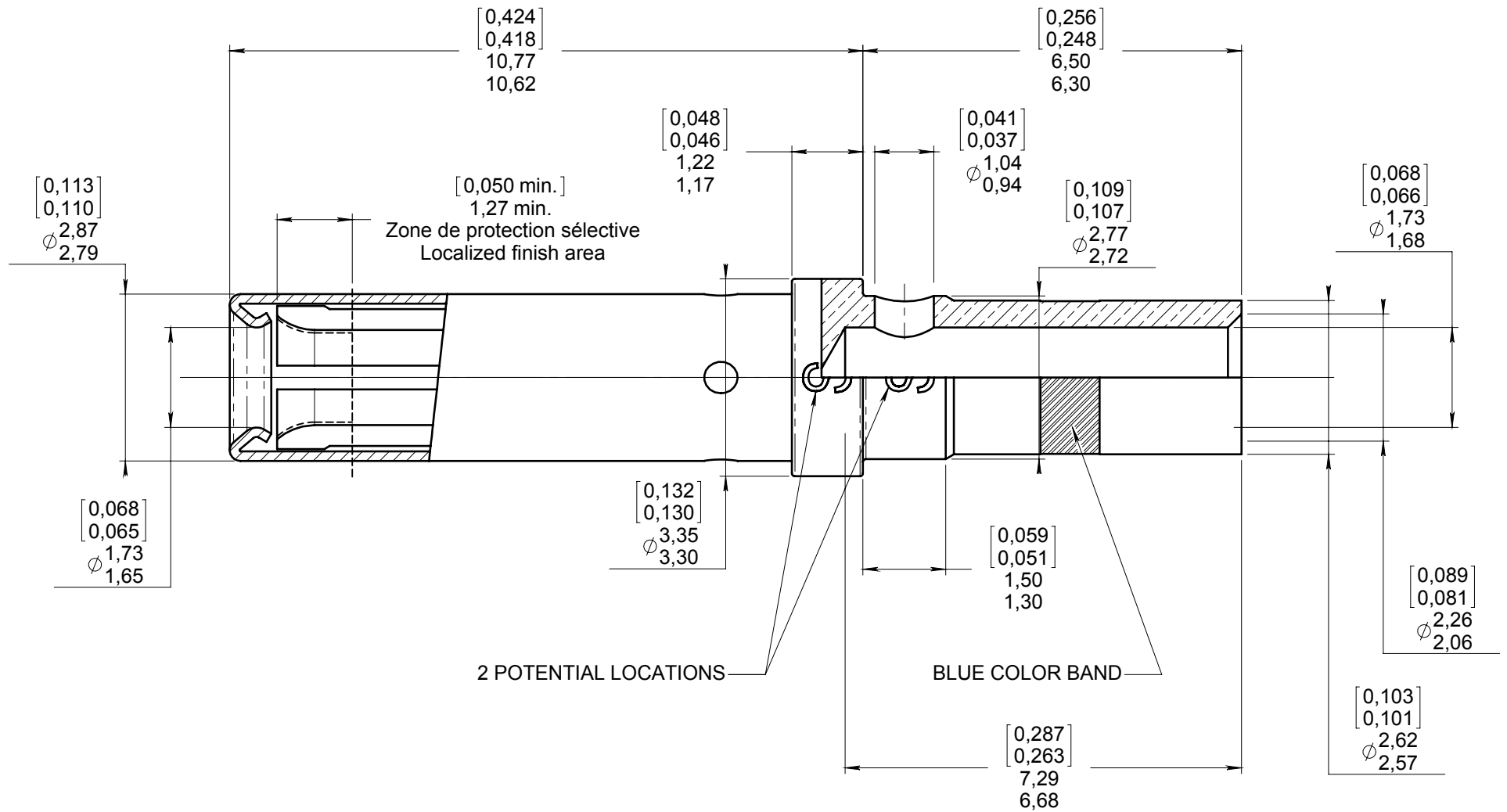


Series
EPX

**SELECTIVE PLATED SIZE 16 REAR REMOVABLE REAR RELEASE CRIMP SOCKET CONTACT
FOR AWG 16, 18 AND 20 CABLES**

Issue:
Mar. 02, 2011

Page
1/1



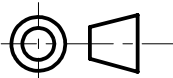
MATERIAL :
CONTACT BODY : BERYLLIUM COPPER PER ASTM B 196
PROTECTION SLEEVE : STAINLESS STEEL PER SAE AMS-5514

FINISH :
LOCALIZED FINISH AREA :
-GOLD PLATED IN ACCORDANCE WITH MIL-DTL-45204, TYPE I OR II, GRADE C OR D, 50 MICROINCH MINIMUM THICK.
ALL OTHER SURFACES OF THE CONTACT BODY :
-GOLD PLATED IN ACCORDANCE WITH MIL-DTL-45204, TYPE I OR II, GRADE C OR D, 10 MICROINCH MINIMUM THICK.
OVER NICKEL ON THE ENTIRE CONTACT BODY SURFACE.

WIRING INSTRUCTIONS :
WIRES ACCOMODATED : AWG 16 - 18 and 20
INSULATION DIAMETER : 2,60 max (.071)
STRIP LENGTH : 6 (.236)

TOOLING : (ORDERED SEPARATLY)
CRIMPING TOOL : M22520/1-01 (RADIAL P/N : 282291)
SELECTOR POSITION : 6 FOR AWG 16
5 FOR AWG 18
4 FOR AWG 20
POSITIONER : M22520/1-02 (RADIAL P/N : 282972)
INS/EXT TOOL : M81969/1-03 (RADIAL P/N : 282546) or M81969/14-03 (RADIAL P/N 282515).
SPL RADIAL INS. 282 929 / EXT. 282 892

DIMENSIONS : mm (inch are given for information only)



This information is given as an indication. In the continual goal to improve our products, we reserve the right to make any modifications judged necessary.

4112_9311

CREATION				
PEN:				
NOM: OLIVEIRA N.				
DATE: Mar. 02, 2011				
APPR.: LE GLOAHEC	/	/	/	/
	Issue	Revisions	Name	Approved