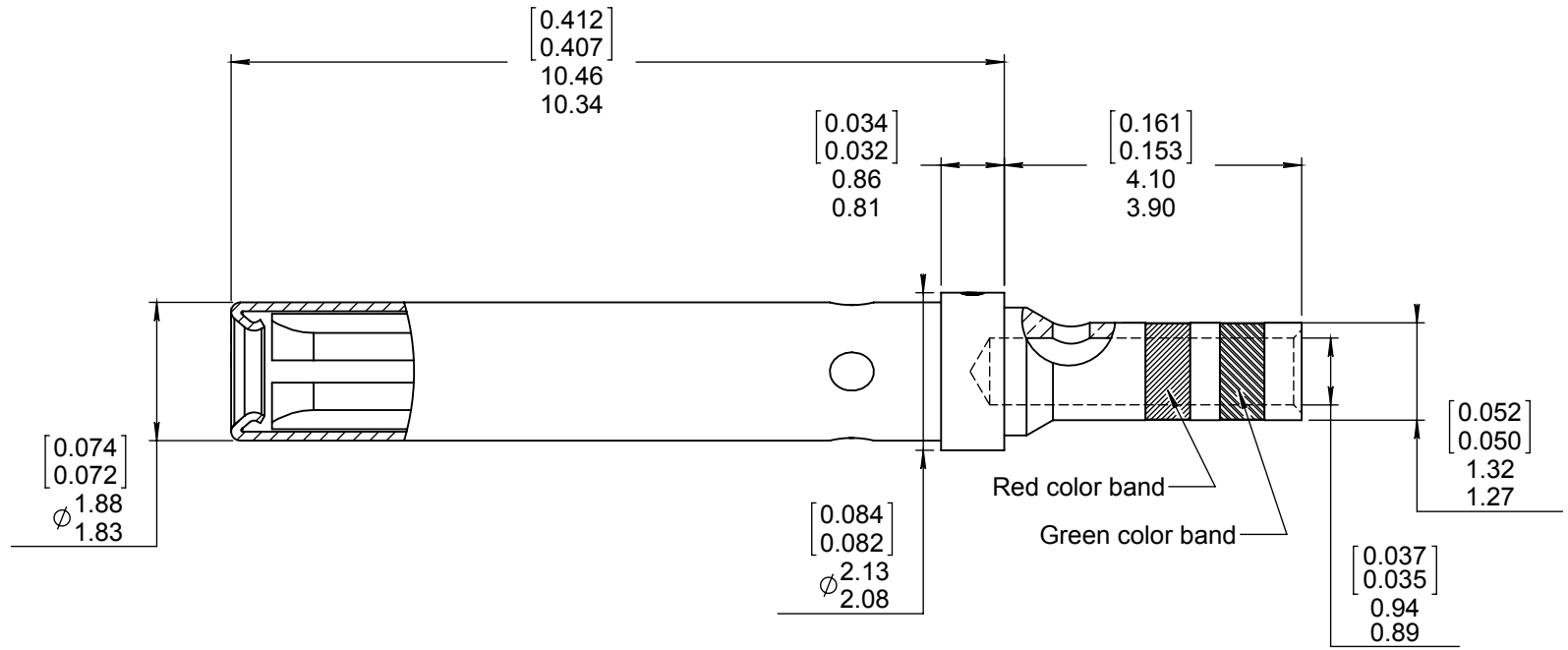


Series  
EPXB

SIZE 20 CRIMP SOCKET CONTACT  
WITH REDUCED CRIMP BARREL #22

Issue:  
May 29, 2013

Page  
1/1



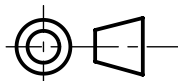
**MATERIAL & FINISHES :**  
CONTACT BODY : Beryllium copper, gold over nickel plated,  
PROTECTION SLEEVE : Stainless steel,

**RADIALL TOOLING RECOMMENDATION :**  
CRIMPING TOOL : M22520/2-01 (RADIALL 282 281)  
SELECTOR POSITION : 4 FOR AWG 22  
3 FOR AWG 24  
3 FOR AWG 26  
POSITIONER : M22520/2-08 (RADIALL 282 971)

**NOTES :**  
WIRES ACCOMODATED : AWG 22-24-26  
INSULATOR DIAMETER : 1.80 MAX (.071)  
STRIP LENGHT : 4 (.158)

INSERTION/EXTRACTION TOOL : M81969/39-01 (RADIALL 282 522 001)  
SPL RADIALL INS. 282 881 / EXT. 282 891

DIMENSIONS : mm (inch are given for information only)



Estimated weight : .0.2 g

CREATION				
PEN: M060009473A				
NOM: PAILOT N.	May 29, 13	Red & Green color band added	Pailot N	Legloahec Y
DATE: Nov 23, 2006	Sept 19, 12	Insertion/extraction tool updated : was M81969/1-02 Internal barrel diameter updated : was Ø0.87 / 0.92 external protective sleeve diameter uspdated : was Ø1.84/1.89	Pailot N	Legloahec Y
APPR.: PESSARD M.	Issue	Revisions	Name	Approved

This document contains proprietary information and such information shall not be disclosed to any third party for any purpose whatsoever or used for manufacturing purposes without prior written agreement from RADIALL. This information is given as an indication. In the continual goal to improve our products, we reserve the right to make any modifications judged necessary.

4112\_9311