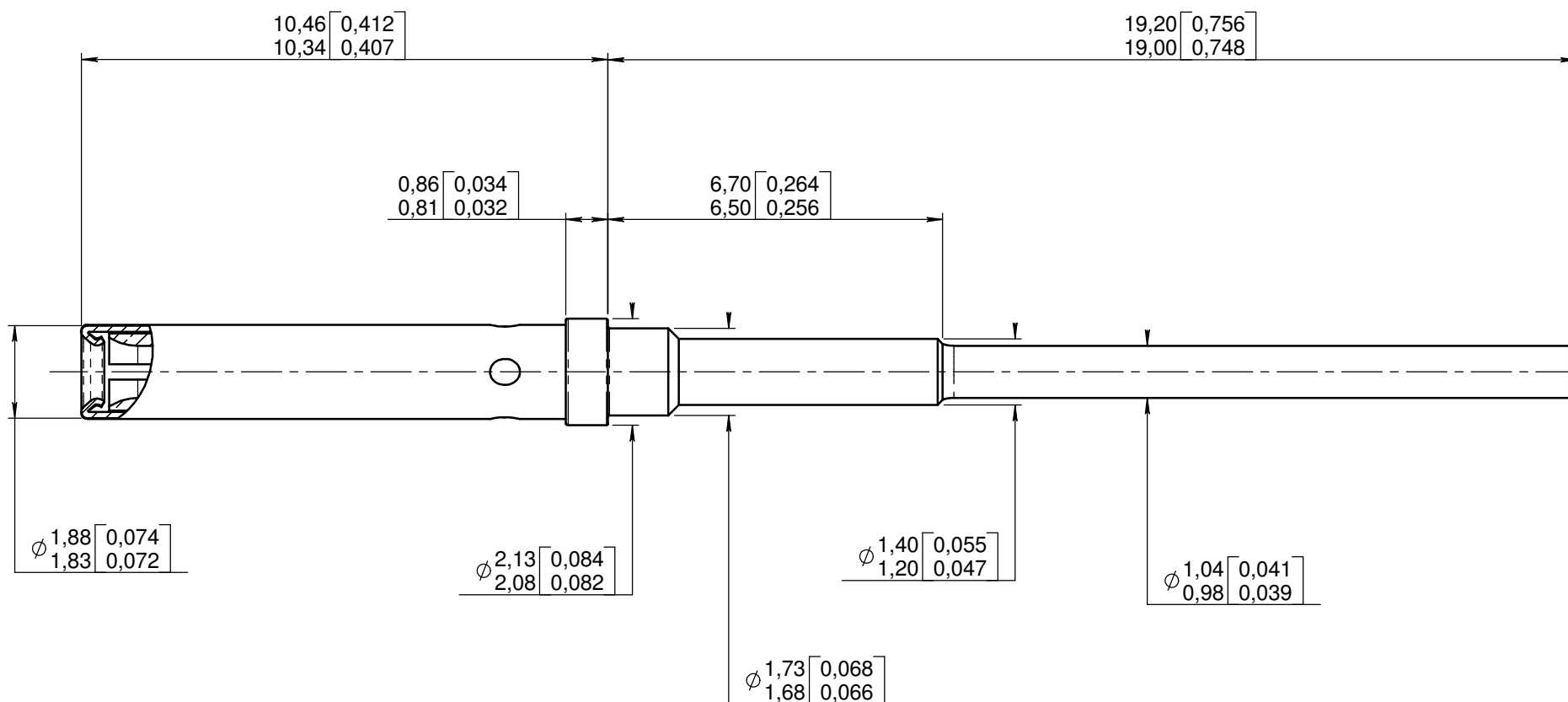


Series
EPXB

Size 20 pc tail socket contact
Rear release, rear removable

Issue:
DEC 05 2006

Page
1/1



MATERIAL :

- BODY : BERYLLIUM COPPER ALLOY
- SLEEVE STAINLESS STEEL PER AISI 305

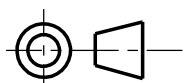
FINISH :

- BODY : GOLD PER MIL-G-45204 TYPE I OR II GRADE C OR D CLASS 1 50 MICROINCHES OVER NICKEL PLATE PER QQ-N-290

RADIAL TOOLING RECOMMANDATION

INSERTION/EXTRACTION TOOL : M81969/1-02 (RADIAL 282 886)
SPL RADIAL INS. 282 881 / EXT. 282 891

DIMENSIONS : mm (inch) -



This information is given as an indication. In the continual goal to improve our products, we reserve the right to make any modifications judged necessary.

4112_9311

CREATION				
PEN:	M050400001D			
NOM:	M.PESSARD			
DATE:	June 09, 2005			
APPR.:	L.GARCIA			
	Dec 05 2006	DIMENSIONS mm : 10,46/10,33 --> 10,46/10,34 ∅ 1,89/1,82 --> ∅ 1,88/1,83	VALGRESY	PESSARD
	Janv 26,2005	∅1.89 / ∅1.82 was ∅1.89 / ∅1.81	D.HUGER	GARCIA L
	July 20,2005	RR RR added in the title	M.PESSARD	LAHOREAU
	Issue	Revisions	Name	Approved