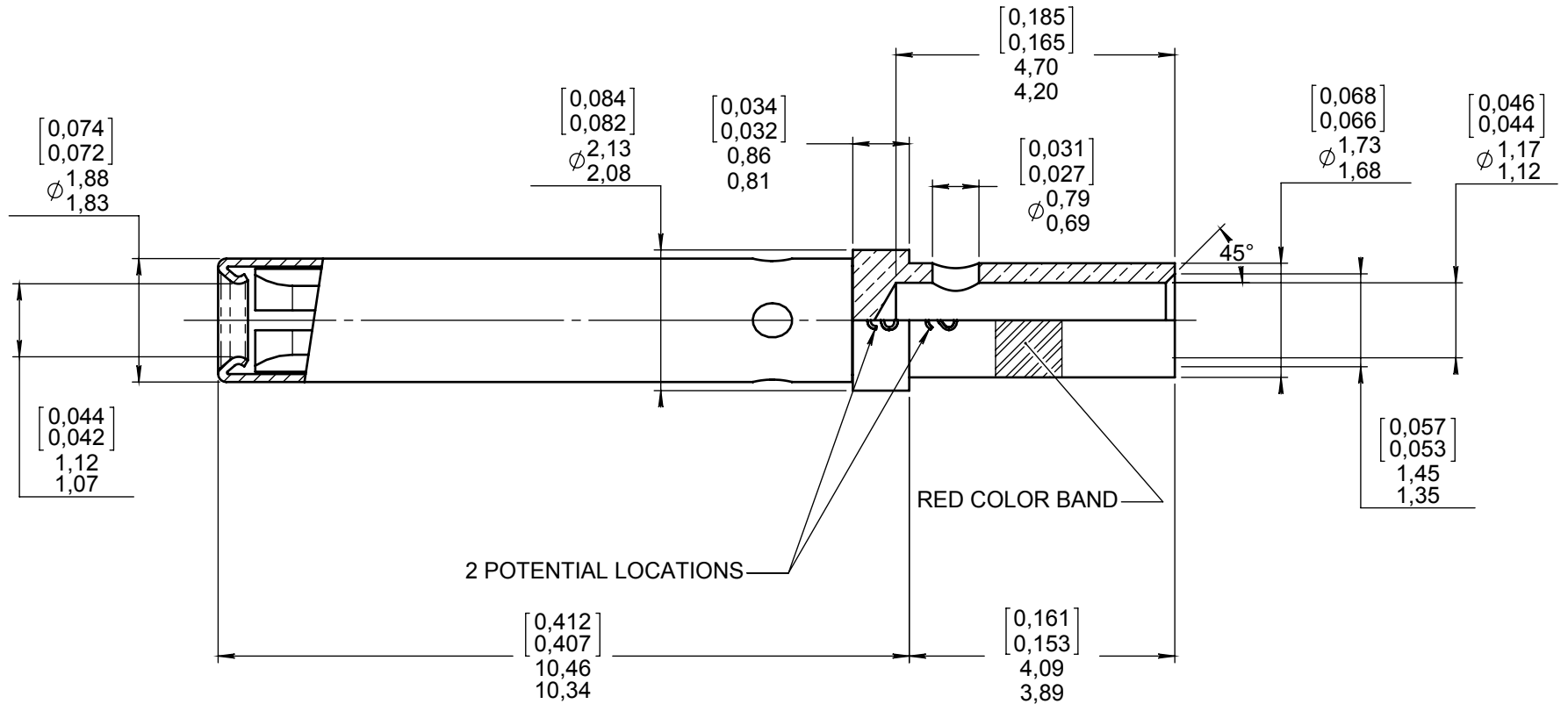


Series
EPX

SIZE 20 REAR RELEASE REAR REMOVABLE CRIMP SOCKET CONTACT
FOR AWG 20, 22 AND 24 CABLES

Issue:
Feb. 12, 2014

Page
1/1



MATERIAL :

CONTACT BODY : BERYLLIUM COPPER PER ASTM B 196

PROTECTION SLEEVE : STAINLESS STEEL PER SAE AMS-5514

FINISH :

CONTACT BODY : PLATING .00005 INCH OF GOLD PER SAE AMS-2422 OVER NICKEL PER SAE AMS-QQ-N-290

PROTECTIVE SLEEVE : PASSIVATED PER SAE AMS-QQ-P-35

WIRING INSTRUCTIONS :

WIRES ACCOMODATED : AWG 20 - 22 and 24

INSULATION DIAMETER : 1,80 max (.071)

STRIP LENGTH : 4 (.158)

CRIMPING TOOL : M22520/2-01 (RADIALL P/N : 282 281)

SELECTOR POSITION : 7 FOR AWG 20

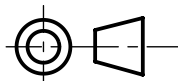
6 FOR AWG 22

5 FOR AWG 24

POSITIONER : M22520/2-08 (RADIALL P/N : 282 971)

INS/EXT TOOL : M81969/39-01 (RADIALL P/N : 282 522 001)

DIMENSIONS : mm (inch are given for information only)



Estimated weight : 0,21 g

CREATION

PEN: .

NOM: MACARI

DATE: JAN 17 1990

APPR.: .

Feb. 12, 2014	Insertion/extraction tool P/N updated + estimated weight added.	MONTIER A.	LEGLOAHEC Y.	
DEC 05 06	DIMENSION mm : 4,10/3,89 ---> 4,09/3,89	VALGRESY	PESSARD	
AUG 29 06	DIMENSION CONVERSION UPDATED	VALGRESY	L GARCIA	
Issue	Revisions	Name	Approved	