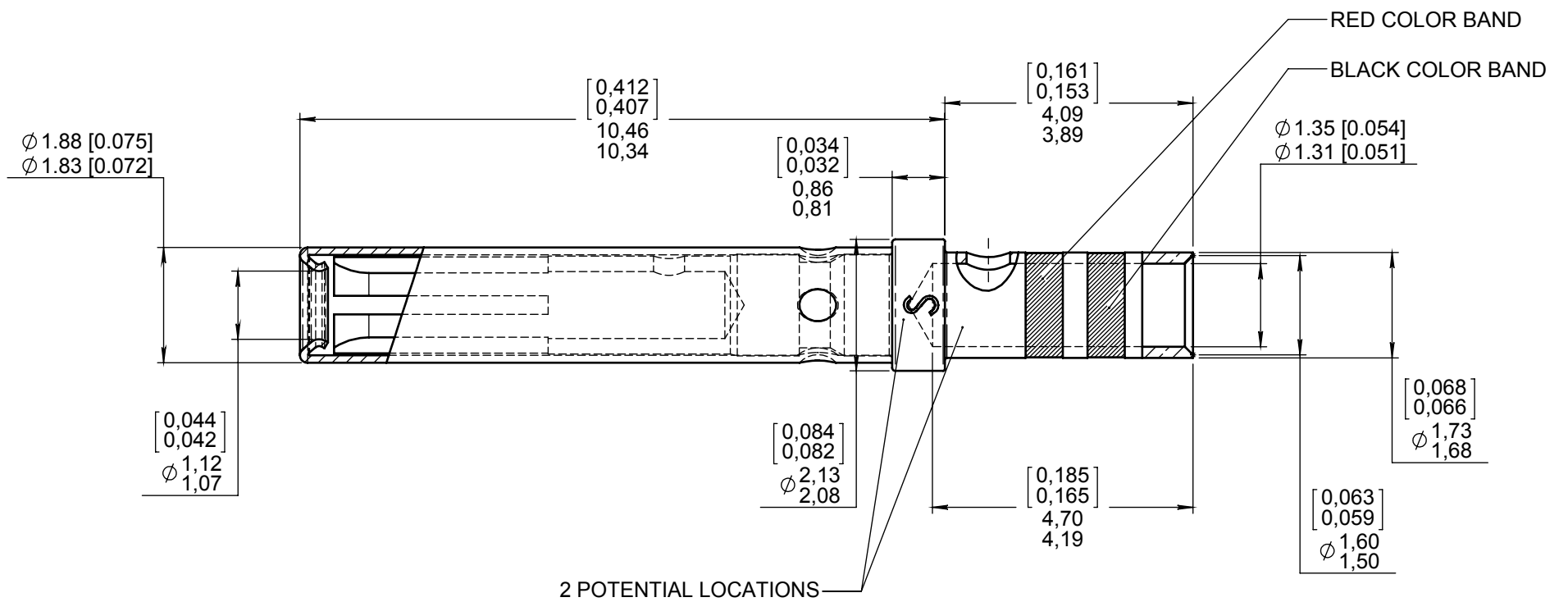


Series
EPXB

SIZE 20 CRIMP SOCKET CONTACT
WITH SIZE 18 CRIMP BARREL

Issue:
Nov. 02, 2012

Page
1/1



MATERIAL :
CONTACT BODY : BERYLLIUM COPPER.

PROTECTION SLEEVE : STAINLESS STEEL.

FINISH :
CONTACT BODY : GOLD OVER NICKEL PLATED.
PROTECTIVE SLEEVE : PASSIVATED.

WIRING INSTRUCTIONS :
WIRES ACCOMODATED : AWG 18-20-22
WIRE MATERIAL: ANNEALED COPPER
MAX WIRE O.D. : 1.81 max (0.071)
MAX STRANDED CONDUCTOR DIAMETER: 1.22 max (.048)
STRIP LENGTH : 4 (.158)

ELECTRICAL CHARACTERISTICS: MAX CURRENT AMPS: 7.5A FOR AWG 18-20

CRIMP CONTACT TENSILE REQUIREMENTS USING MIL SPEC TOOLING AND WIRE SPEC
M22520/2-01 18 GA. 30 LBF (13.4 daN)

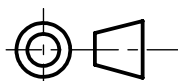
CRIMPED CONTACTS WILL SHOW NO CRACK WHEN INSPECTED PER MIL-C-22520 AT 5X

CRIMPING TOOL : M22520/2-01 (RADIALL P/N : 282 281)
SELECTOR POSITION : 5 FOR AWG 18
5 FOR AWG 20
4 FOR AWG 22

POSITIONER : M22520/2-08 (RADIALL P/N : 282 971)

INS/EXT TOOL : M81969/39-01

DIMENSIONS : mm (inch are given for information only)



Estimated weight : 0,19 g

CREATION				
PEN: 2008-09-1855				
NOM: VIEIRA D.				
DATE: Nov. 02, 2012				
APPR.: LE GLOAHEC Y	Issue	Revisions	Name	Approved

This document contains proprietary information and such information shall not be disclosed to any third party for any purpose whatsoever or used for manufacturing purposes without prior written agreement from RADIALL. This information is given as an indication. In the continual goal to improve our products, we reserve the right to make any modifications judged necessary.

4112_9311