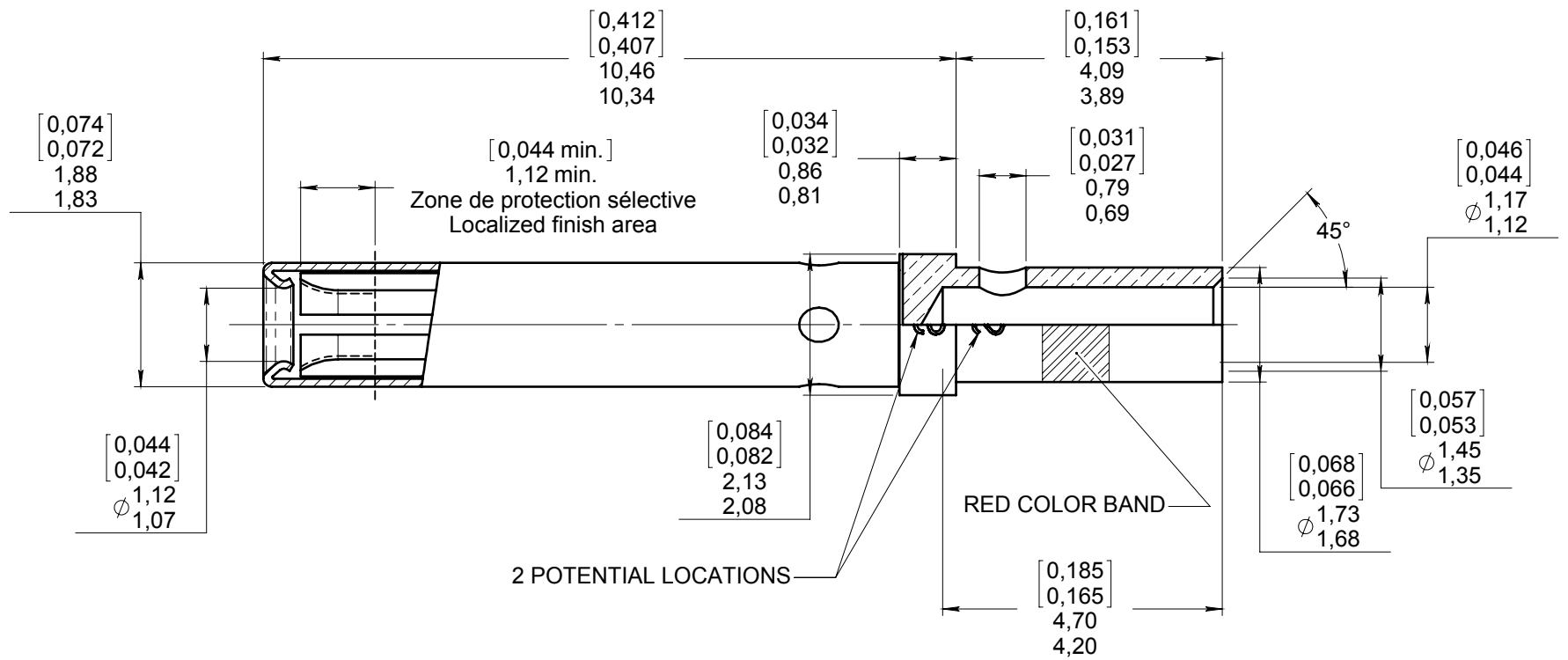


Series  
EPX

SELECTIVE PLATED SIZE 20 REAR REMOVABLE REAR RELEASE CRIMP SOCKET CONTACT  
FOR AWG 20, 22 AND 24 CABLES

Issue:  
Mar. 02, 2011

Page  
1/1



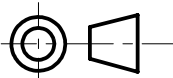
MATERIAL :  
CONTACT BODY : BERYLLIUM COPPER PER ASTM B 196  
PROTECTION SLEEVE : STAINLESS STEEL PER SAE AMS-5514

FINISH :  
LOCALIZED FINISH AREA :  
-GOLD PLATED IN ACCORDANCE WITH MIL-DTL-45204, TYPE I OR II, GRADE C OR D, 50 MICROINCH MINIMUM THICK.  
ALL OTHER SURFACES OF THE CONTACT BODY :  
-GOLD PLATED IN ACCORDANCE WITH MIL-DTL-45204, TYPE I OR II, GRADE C OR D, 10 MICROINCH MINIMUM THICK.  
OVER NICKEL ON THE ENTIRE CONTACT BODY SURFACE.

WIRING INSTRUCTIONS :  
WIRES ACCOMODATED : AWG 20 - 22 and 24  
INSULATION DIAMETER : 1,80 max (.071)  
STRIP LENGTH : 4 (.158)

TOOLING : (ORDERED SEPARATLY)  
CRIMPING TOOL : M22520/2-01 (RADIALL P/N : 282281)  
SELECTOR POSITION : 7 FOR AWG 20  
6 FOR AWG 22  
5 FOR AWG 24  
POSITIONER : M22520/2-08 (RADIALL P/N : 282971)  
INS/EXT TOOL : M81969/1-02 (RADIALL P/N : 282886)  
SPL RADIALL INS. 282 881 / EXT. 282 891

DIMENSIONS : mm (inch are given for information only)



This information is given as an indication. In the continual goal to improve our products, we reserve the right to make any modifications judged necessary.

4112\_9311

CREATION				
PEN: .				
NOM: OLIVEIRA N.				
DATE: Mar. 02, 2011				
APPR.: LE GLOAHEC	/	/	/	/
	Issue	Revisions	Name	Approved