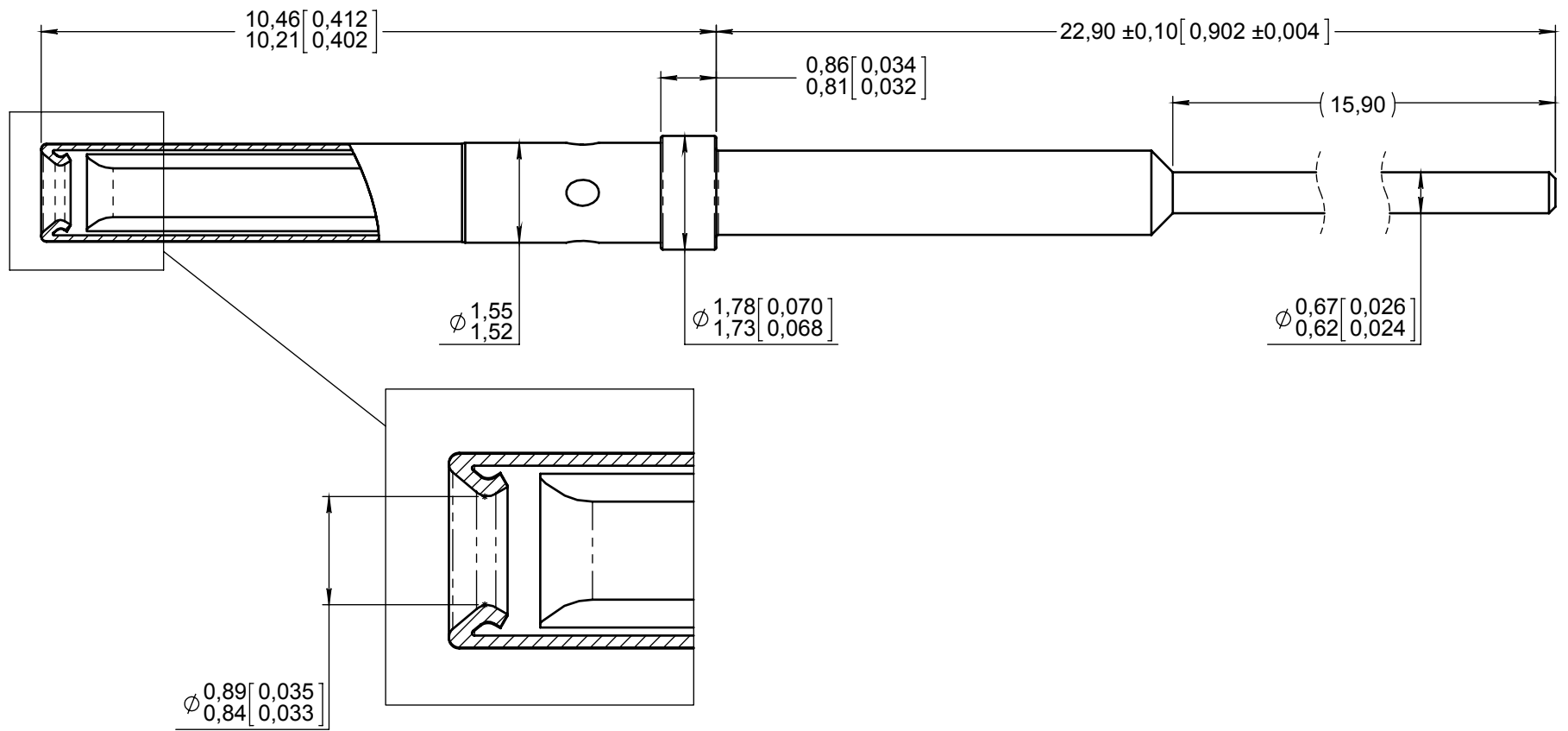


Series
EPXB

SIZE 22 PC TAIL SOCKET CONTACT LENGHT YD

Issue:
Fev 04, 2013

Page
1/1



MATERIAL :

- BODY : COPPER ALLOY
- SLEEVE STAINLESS STEEL

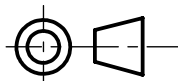
FINISH :

- BODY : .00005 INCH OF GOLD PER SAE AMS-2422 OVER NICKEL PLATE PER SAE AMS-QQ-N-290

RADIALL TOOLING RECOMMANDATION

- INSERTION/EXTRACTION TOOL : M81969/1-01 (RADIALL 282 885)

DIMENSIONS : mm (inch are given for information only)



Estimated weight : 0.25 g

CREATION				
PEN:				
NOM: VIEIRA D.				
DATE: Fev 04, 2013				
APPR.:LE GLOAHEC Y	Issue	Revisions	Name	Approved

This document contains proprietary information and such information shall not be disclosed to any third party for any purpose whatsoever or used for manufacturing purposes without prior written agreement from RADIALL. This information is given as an indication. In the continual goal to improve our products, we reserve the right to make any modifications judged necessary.

4112_9311