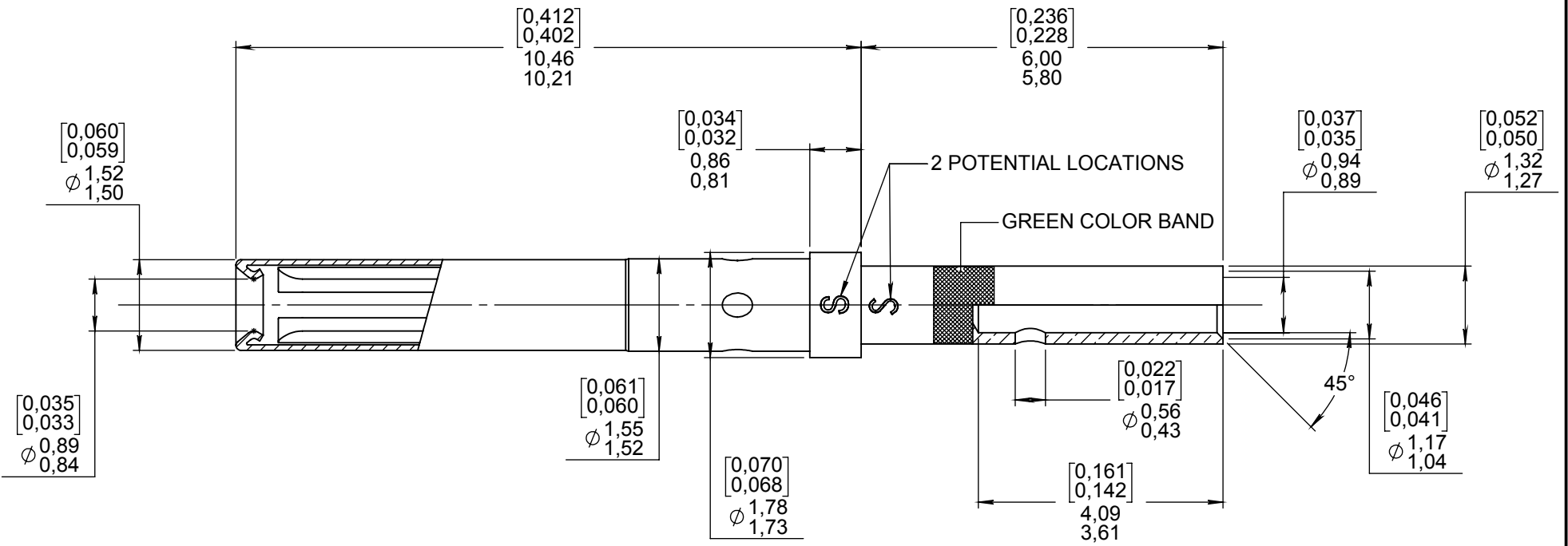


Series
EPX
SIZE 22 REAR RELEASE REAR REMOVABLE CRIMP SOCKET CONTACT
FOR AWG 22, 24 AND 26 CABLES
Issue:
Feb. 12, 2014
Page
1/1

MATERIAL :

- CONTACT BODY : COPPER ALLOY HARDNESS IN KNOOP 120 MAX (107 HV) FOR CRIMP BARREL
200 MIN (184 HV) FOR BEYOND SHOULDER
- PROTECTION SLEEVE : STAINLESS STEEL PER SAE AMS-5514

FINISH :

- CONTACT BODY : PLATING .00005 INCH OF GOLD PER SAE AMS-2422 OVER NICKEL PER SAE AMS-QQ-N-290
- PROTECTIVE SLEEVE : PASSIVATED PER SAE AMS-QQ-P-35

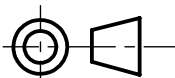
WIRING INSTRUCTIONS :

WIRES ACCOMODATED : AWG 22 - 24 and 26
 INSULATION DIAMETER : 1,40 max (.055)
 STRIP LENGTH : 3,50 (.138)

CRIMP CONTACT TENSILE REQUIREMENTS USING MIL SPEC TOOLING AND WIRE SPEC
 M22520/2-01 20 GA. 5.5 daN (11LBS)
 CRIMPED CONTACTS WILL SHOW NO CRACK WHEN INSPECTED PER MIL-C-22520 AT 10X

RADIALL TOOLING RECOMMENDATION
 CRIMPING TOOL : M22520/2-01 (RADIALL P/N : 282 281)
 SELECTOR POSITION : 4 FOR AWG 22
 3 FOR AWG 24
 3 FOR AWG 26

POSITIONER : M22520/2-23 (RADIALL P/N : 282 970)
 INS/EXT TOOL : M81969/14-01 (RADIALL P/N : 282 522)

DIMENSIONS : mm (inch are given for information only)


Estimated weight : 0,15 g

CREATION				
PEN:				
NOM: MACARI JP.	Feb. 12, 14	Material note updated + estimated weight added.	Montier A.	Legloahec Y.
DATE: NOV. 24, 88	May 12, 11	Contact body material updated Extraction Tool modified : was M81969/1-01 (RADIALL 282 885)	Surault	Legloahec
APPR.:	Feb 26, 07	Dimension modified	Pailot N.	Pessard M
	SEPT 12 06	DIMENSION CONVERSION UPDATED and .061/.060 was .062/.061	DUPUIS	LAHOREAU
	Issue	Revisions	Name	Approved