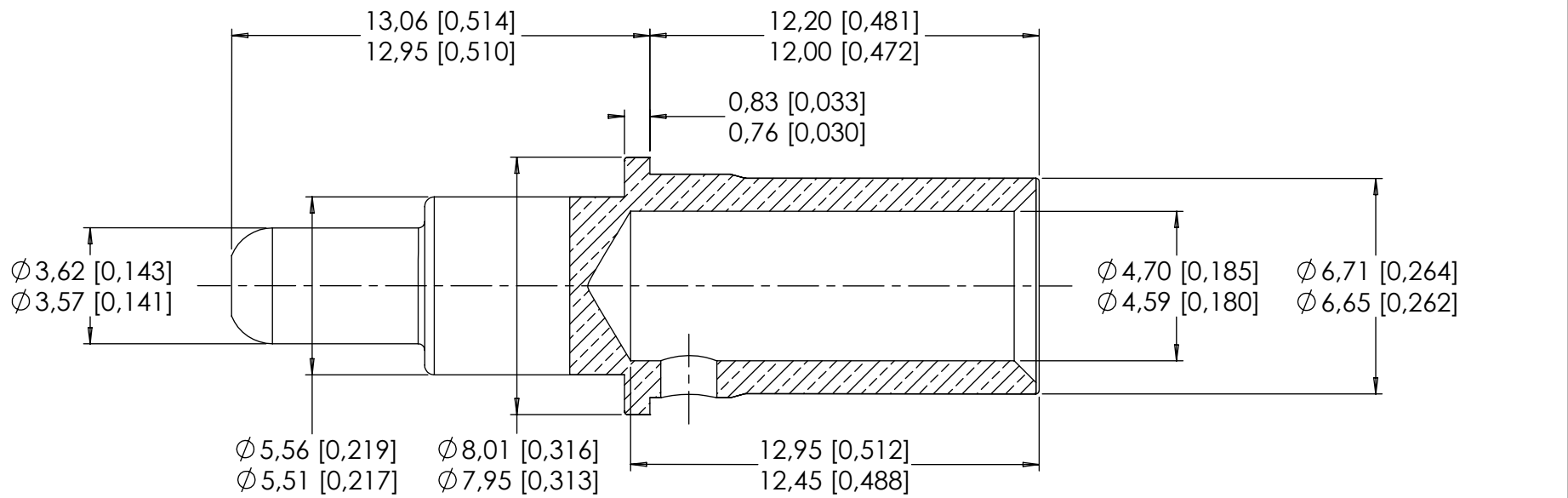


Series
EPX

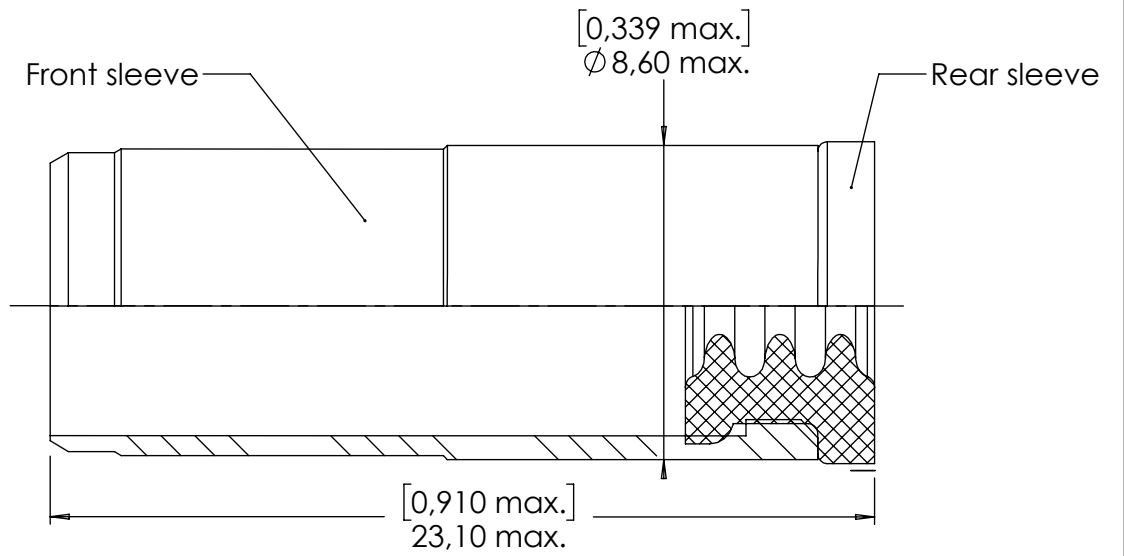
ENVIRONMENTAL SIZE 8 POWER CRIMP PIN CONTACT
FOR AWG 8 CABLE

Issue:
Mar. 09, 2020

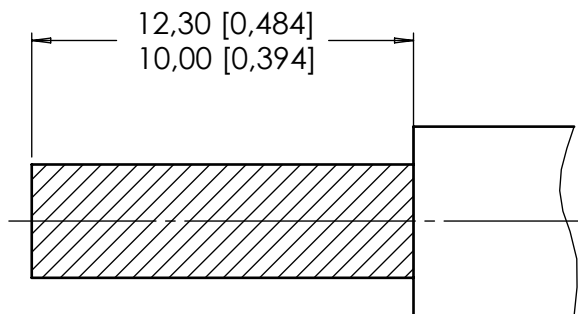
Page
1/1



Sealing Boot:



Cable stripped length:



MATERIALS & FINISHES :

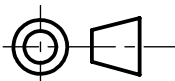
- CONTACT BODY : Copper alloy, gold over nickel plated,
- ENVIRONMENTAL SLEEVE :
Rear : Fluorosilicone
Front : Thermoplastic

CRIMPING TOOL : M22520/23-01
DIE SET : M22520/23-02
LOCATOR : RADIALL P/N : 282588
EXTRACTION TOOL : RADIALL P/N : 282549001

NOTE :

- Environmental sleeve used with cable diameter from Ø 4,00 [0,157] to Ø 4,90 [0,193]

DIMENSIONS : mm (inch are given for information only)



Estimated weight : 4,7 g

This document contains proprietary information and such information shall not be disclosed to any third party for any purpose whatsoever or used for manufacturing purposes without prior written agreement from RADIALL. This information is given as an indication. In the continual goal to improve our products, we reserve the right to make any modifications judged necessary.

4112_9311

CREATION PEN: 20188355-10 NOM: WEIHS H. DATE: Apr. 23, 2018 APPR.: MOUTAULT W				
	Mar. 09, 20	Removed the note: PRODUCT NOT QUALIFIED	LOPEZ C.	WEIHS H.
	Aug. 21, 18	Updated information to be conform with similar TDS: 617291002 & 617939003	LOPEZ C.	WEIHS H.
	Issue	Revisions	Name	Approved