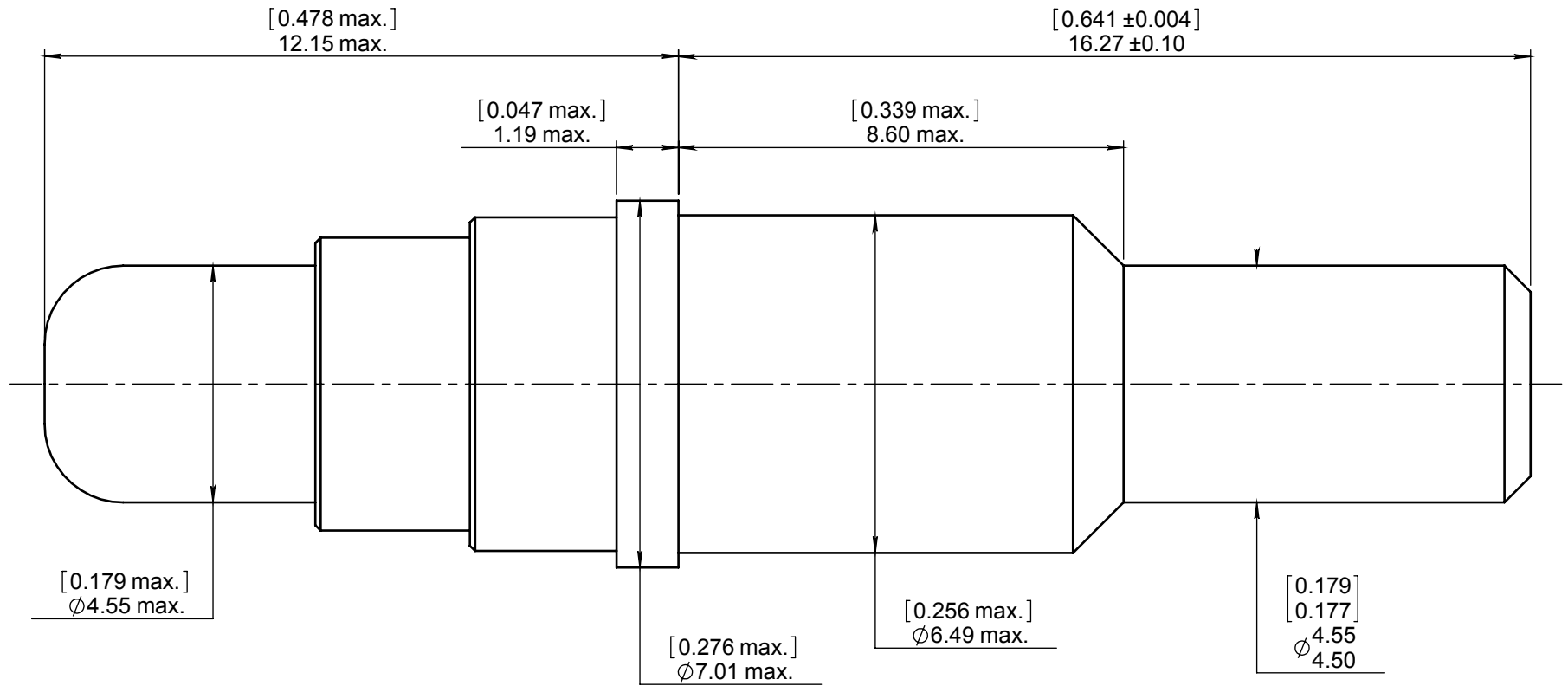


Series
EPXB

Size 5 straight PC tail pin contact
Rear release, rear removable

Issue:
Feb 1st, 2012

Page
1/1

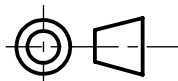


Material: copper alloy

Finish: gold per MIL-G-45204 type I or II, grade C or D class 1.50 µinches
over electrolytic nickel per QQ-N-290.

Insertion/extraction tool: Radiall P/N 282548.

DIMENSIONS : mm (inch are given for information only)



Estimated weight : 5.4 g

Confidential information not to be disclosed to third parties without Radiall approval. This information is given as an indication. In the continual goal to improve our products, we reserve the right to make any modifications judged necessary.

4112_9311

CREATION				
PEN: M050400141A				
NOM: LE GLOAHEC				
DATE: Mar 07, 2006				
APPR.: PESSARD	Feb 1, 2012	Material corrected : was noted C97	Pailot N	Legloahec Y
	Issue	Revisions	Name	Approved