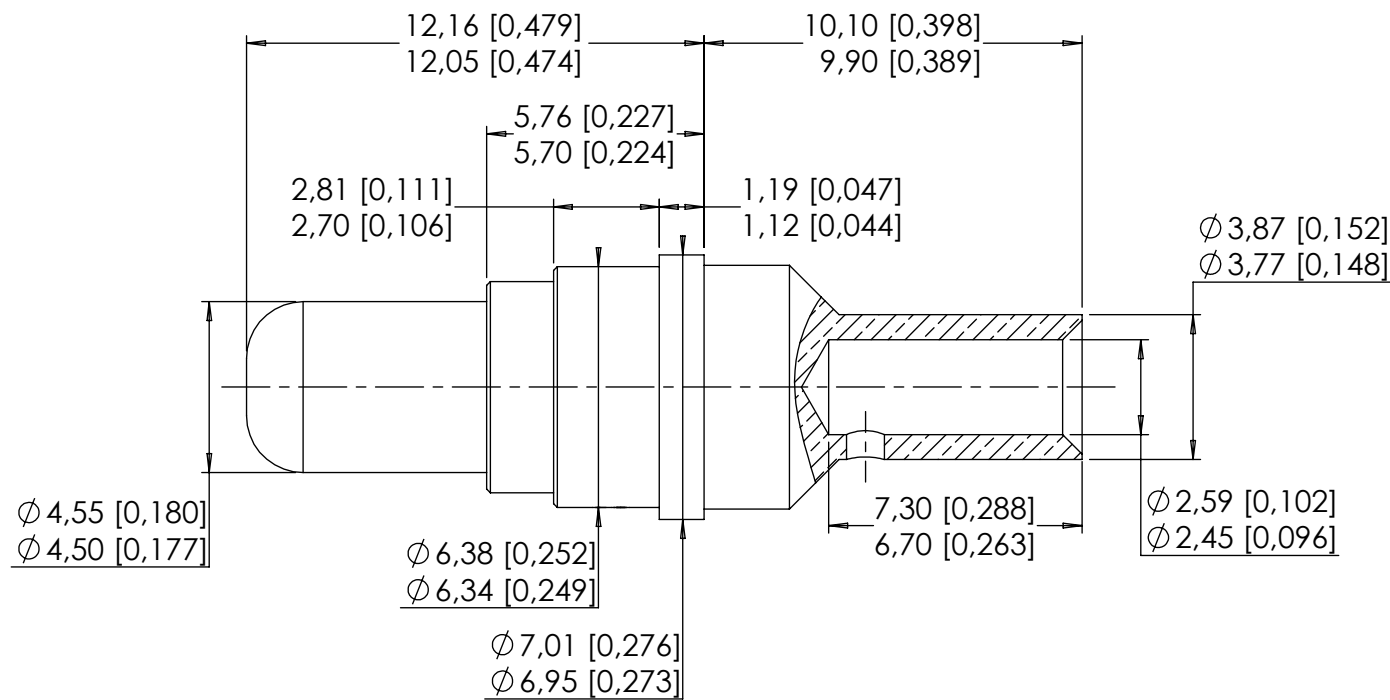
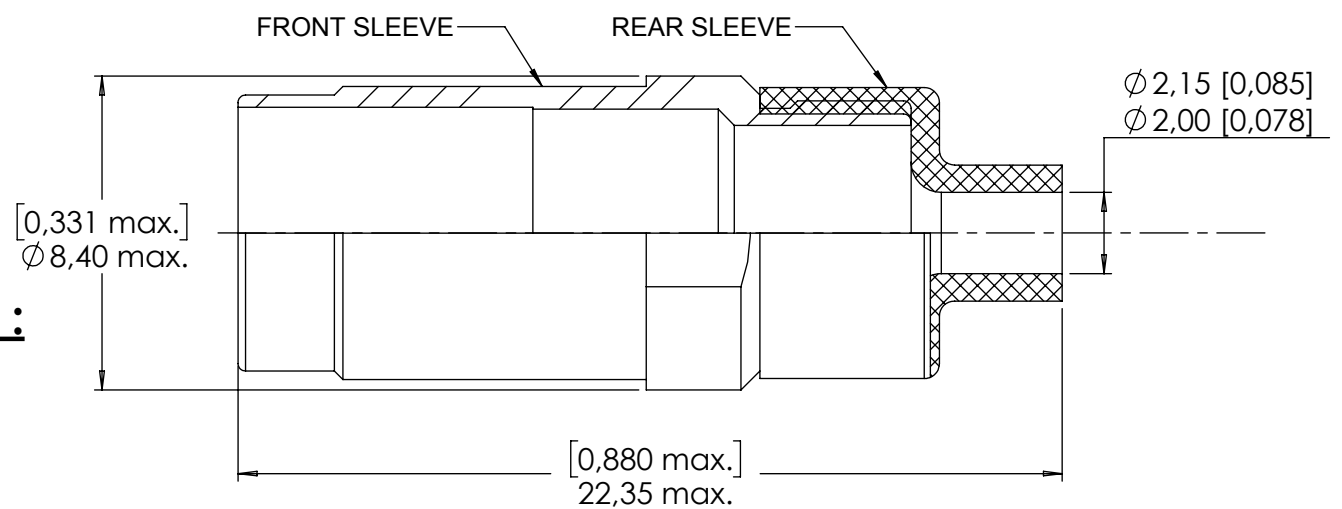
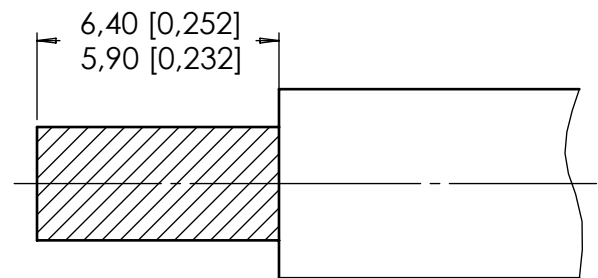


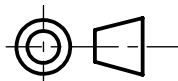
**Series**  
**EPX**
**ENVIRONMENTAL SIZE 5 POWER CRIMP PIN CONTACT**  
**FOR AWG 12 & AWG 16 CABLES**
**Issue:**  
**Mar. 09, 2020**
**Page**  
**1/1**

**Environmental sleeve :**

**Cable stripped length:**

**MATERIALS AND FINISHES :**

- CONTACT BODY : Copper alloy, gold over nickel plated,
- ENVIRONMENTAL SLEEVE :  
 Rear : Fluorosilicone  
 Front : Thermoplastic

**CRIMPING TOOL :** RADIALL P/N : 282613  
**LOCATOR :** RADIALL P/N : 282586003  
**SELECTOR SETTING :** 6  
**EXTRACTION TOOL :** M81969/28-01, RADIALL P/N: 282946

**NOTE :**

- Environmental sleeve used with cable diameter from  $\phi$  2,59 [0,102] to  $\phi$  3,45 [0,136]

**DIMENSIONS : mm (inch are given for information only)**


Estimated weight : 4,3 g

This document contains proprietary information and such information shall not be disclosed to any third party for any purpose whatsoever or used for manufacturing purposes without prior written agreement from RADIALL. This information is given as an indication. In the continual goal to improve our products, we reserve the right to make any modifications judged necessary.

4112\_9311

<b>CREATION</b>  PEN: 20188355-50  NOM: WEIHS H. DATE: Apr. 23, 2018 APPR.: MOUTAULT W				
	Mar. 09, 20	Removed the note: PRODUCT NOT QUALIFIED	LOPEZ C.	WEIHS H.
	Aug. 23, 18	Updated information to be conform with similar TDS: 617260001 & 617939009	LOPEZ C.	WEIHS H.
	<b>Issue</b>	<b>Revisions</b>	<b>Name</b>	<b>Approved</b>