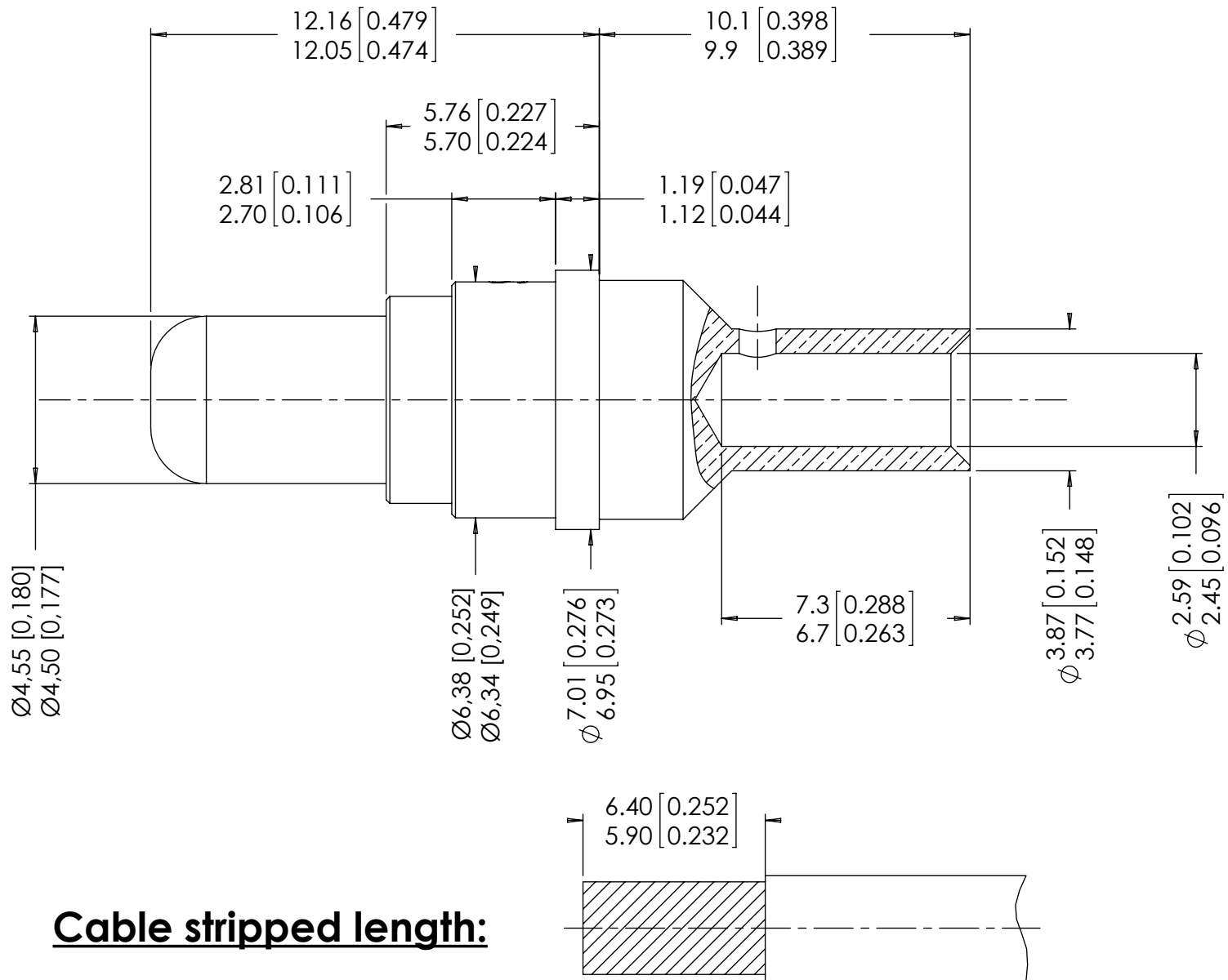


Series
EPX

Power crimp pin contact
For size 5 cavity.
For AWG 12, AWG14 and AWG 16 wires.

Issue:
Sept. 12, 2014

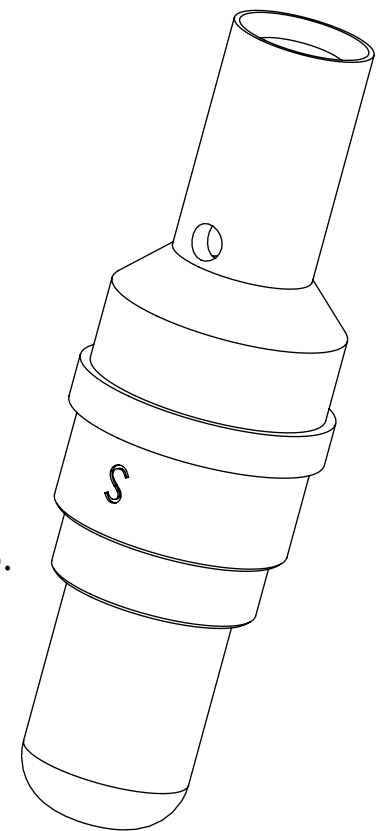
Page
1/1



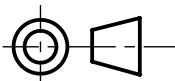
Material and finish: Copper alloy, gold over nickel.

Crimping tool for AWG 12, AWG 14 & AWG 16 , RADIALL P/N: 282 613.
Positioner FOR AWG 12, AWG 14 & AWG 16, RADIALL P/N: 282 586 003.
Selector setting for AWG 12 : 6.
Selector setting for AMG14 & AWG 16 : 4.

Extraction tool: M81969/28-01, RADIALL P/N: 282946.



DIMENSIONS : mm (inch are given for information only)



Estimated weight : 3.7 g

CREATION				
PEN: M020400013A	Sept. 12, 14	Added AWG14 wires. and estimated weight	Surault	VIEIRA
	Jan. 12, 10	Added AWG16 wires.	Surault	Le Gloahec
NOM: CHEVREAU G.	09.30.08	"S" added on contact.	S.Malty	M.Pessard
	02.19.03	P/N 617260001 was RP56066.	L.Garcia	C.Lahoreau
DATE: Feb. 07, 2002	03.08.02	Positioner P/N added.	L.Garcia	G.Motteau
APPR.: G.Motteau	Issue	Revisions	Name	Approved