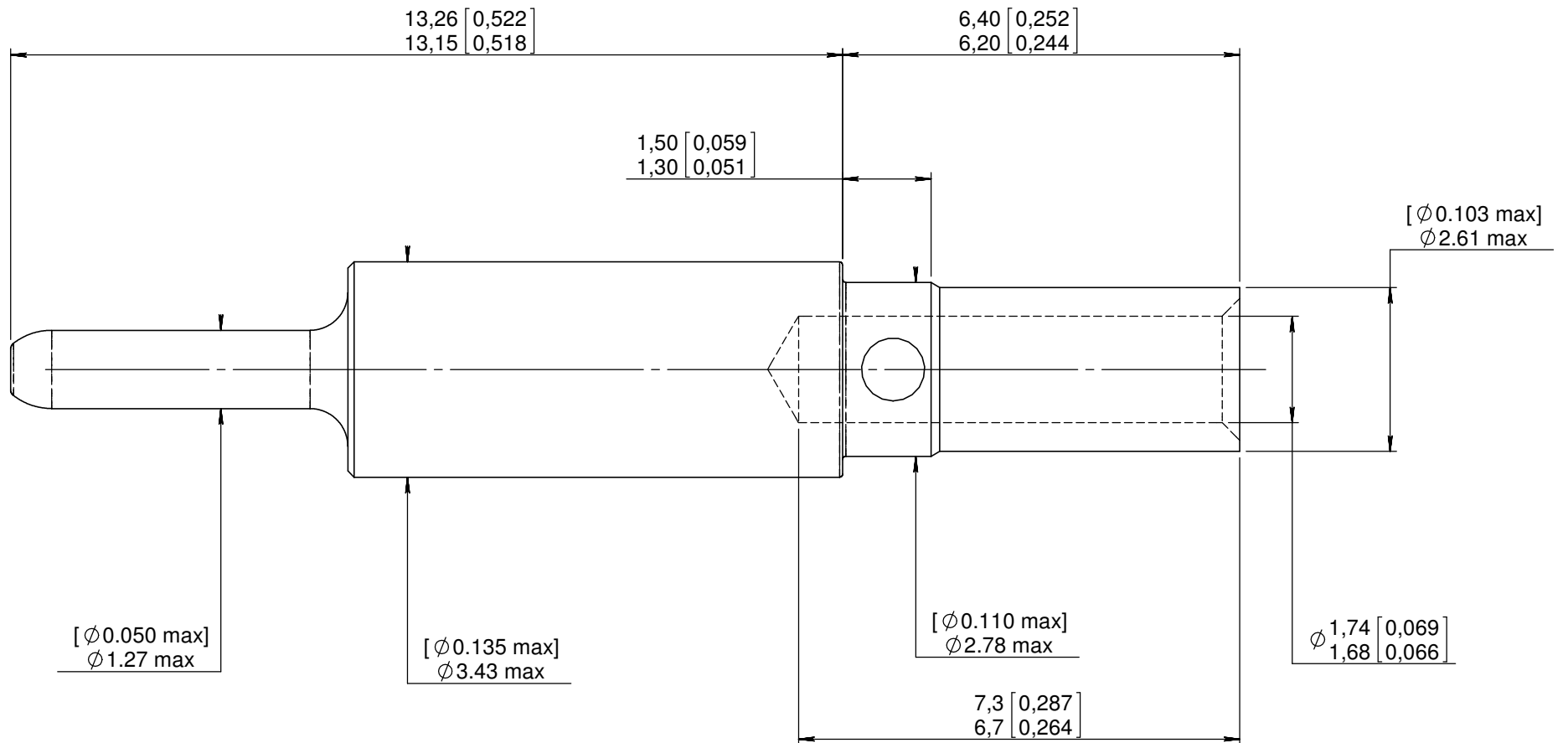


Series  
**EPXB**

CRIMP PIN CONTACT  
FOR LuxCis® CAVITY

Issue:  
May 17, 2011

Page  
**1/1**



MATERIAL: COPPER ALLOY HARDNESS IN KNOOP 120 MAX (120 HV) FOR CRIMP BARREL  
FINISH : GOLD PER SAE-AMS-2422 50 MICRONS OVER NICKEL PER SAE-QQ-N-290

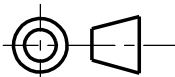
WIRES ACCOMODATED : AWG 16-18-20  
INSULATOR DIAMETER : 2.6 MAX (.103)  
STRIP LENGTH : 6 (.236)

RADIALL TOOLING RECOMMENDATION:  
CRIMPING TOOL : M22520/1-01 (RADIALL 282 291)  
SELECTOR POSITION : 6 FOR AWG 16  
5 FOR AWG 18  
4 FOR AWG 20

POSITIONER : RADIALL 282 581 013  
INSERTION/EXTRACTION TOOL : M81969/14-03 (RADIALL 282 515)  
SPL RADIALL INS. 282 929 / EXT. 282 892

Electrical characteristics:  
Max current Amps : 10A for AWG16 wire

DIMENSIONS : mm (inch are given for information only)



This information is given as an indication. In the continual goal to improve our products, we reserve the right to make any modifications judged necessary.

4112\_9311

CREATION				
PEN:				
NOM: MALTY S.				
DATE: Aug. 08, 2007	May 17, 11	Insertion/Extraction tool: M81969/1-03->M81969/14-03	SURAUULT	Legloahec
APPR.: PESSARD M.	Dec. 03, 08	Add Electrical characteristics	SURAUULT	PESSARD M.
	Issue	Revisions	Name	Approved