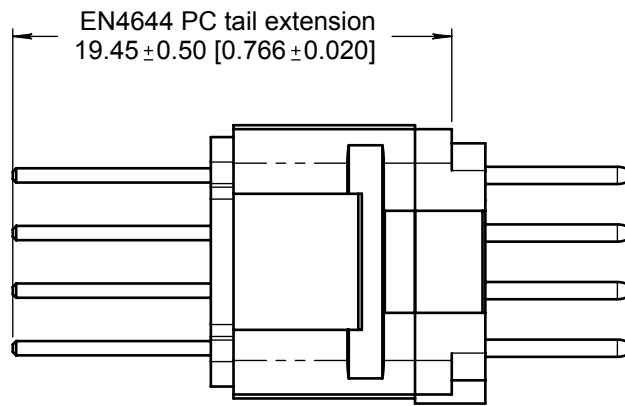
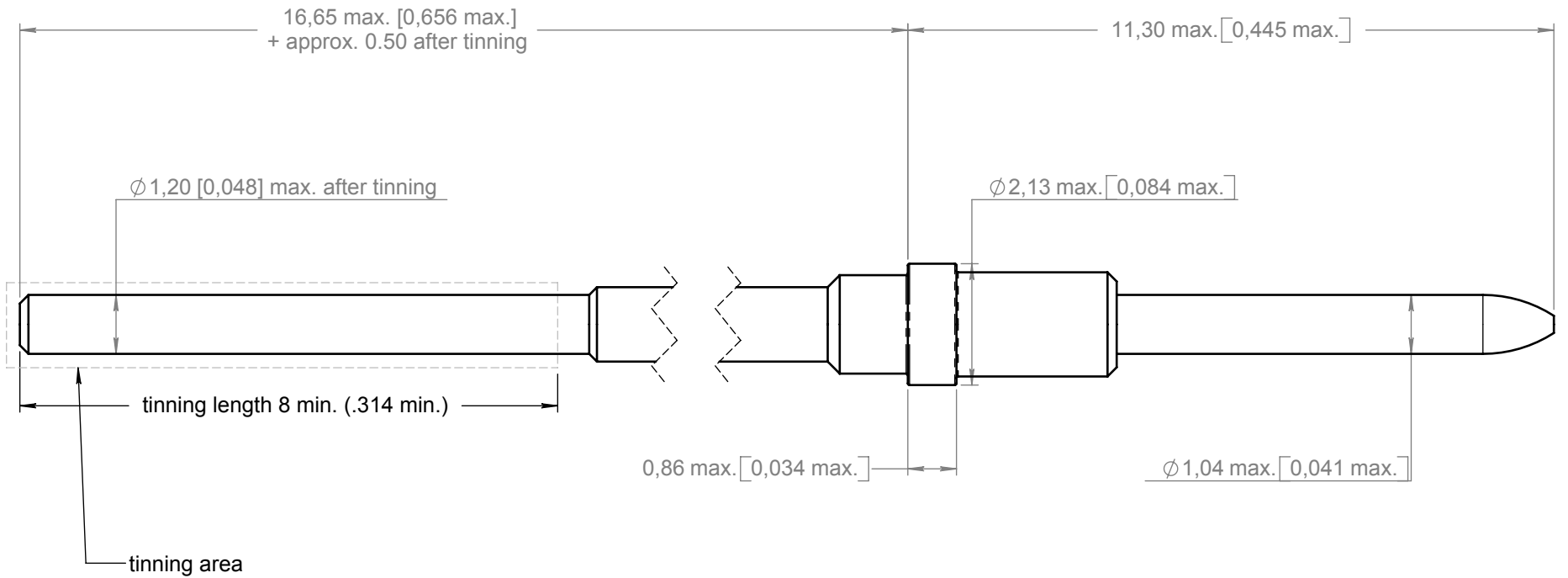


Series
EPX

SIZE 20 PIN PC TAILS CONTACT
617 222 012 RoHS TIN COATED

Issue:
Feb. 05, 08

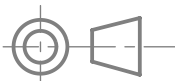
Page
1/1



MATERIAL AND FINISHES :
Copper alloy ; Gold over Nickel plated
PC tail: RoHS tin coated

INS/EXT TOOL : M81969 / 1-02 Radiall P/N: 282 886

DIMENSIONS : mm (inch are given for information only)



<p>CREATION</p> <p>PEN: M070011005B</p> <p>NOM: LEBOCQ A.</p> <p>DATE: Feb. 05, 08</p> <p>APPR.: PESSARD M.</p>				
	Issue	Revisions	Name	Approved

Confidential information not to be disclosed to third parties without Radiall approval. This information is given as an indication. In the continual goal to improve our products, we reserve the right to make any modifications judged necessary.

4112_9311