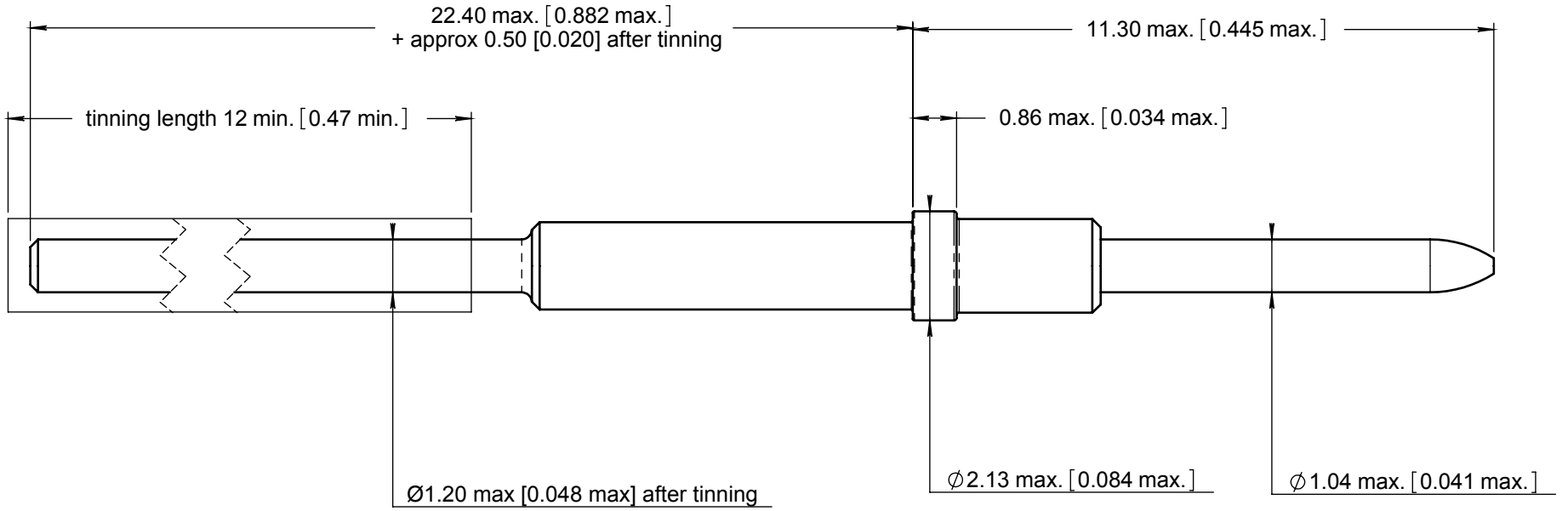


Series
EPXB

SIZE 20 STRAIGHT PC TAIL PIN CONTACT
617 222 010 RoHS TIN COATED

Issue:
May 05, 2009

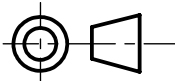
Page
1/1



MATERIAL AND FINISHES :
Copper alloy ; Gold over Nickel plated
PC tail : RoHS tin coated

INS/EXT TOOL : M81969 / 1-02 RADIAL P/N : 282 886

DIMENSIONS : mm (inch are given for information only)



Confidential information not to be disclosed to third parties without Radiall approval. This information is given as an indication. In the continual goal to improve our products, we reserve the right to make any modifications judged necessary.

4112_9311

CREATION				
PEN: 2009-04-3094				
NOM: LEOCQ A.				
DATE: May 05, 2009				
APPR.: PESSARD M.				
Issue	Revisions	Name	Approved	