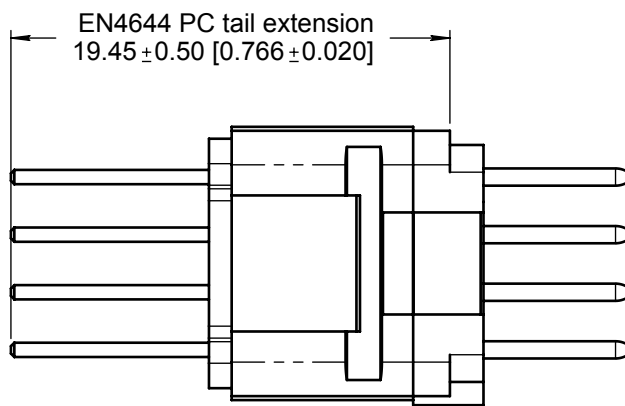
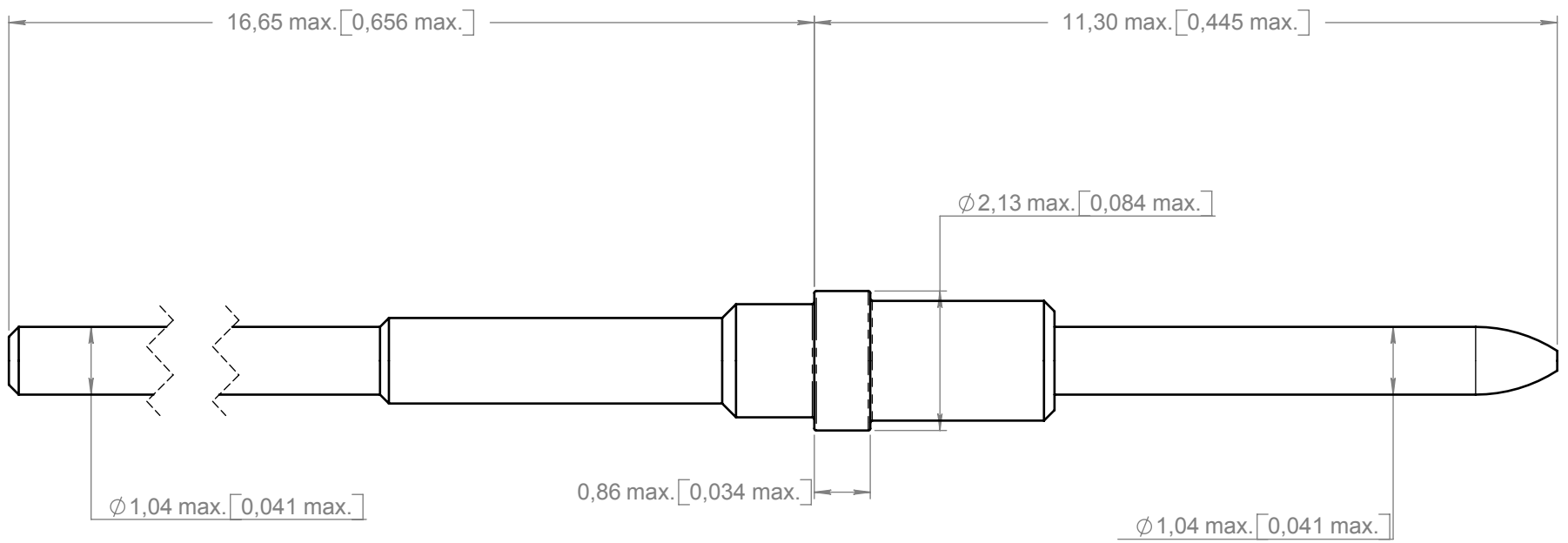


Series  
EPX

SIZE 20 SOLDER TAIL PIN CONTACT

Issue:  
Feb. 28, 08

Page  
1/1



**MATERIAL AND FINISHES :**  
Copper alloy ; Gold over Nickel plated

**INS/EXT TOOL :** M81969 / 1-02 Radiall P/N: 282 886

**DIMENSIONS :** mm (inch are given for information only)



Confidential information not to be disclosed to third parties without Radiall approval. This information is given as an indication. In the continual goal to improve our products, we reserve the right to make any modifications judged necessary.

4112\_9311

<b>CREATION</b>				
<b>PEN:</b> M070011005B				
<b>NOM:</b> LEBOCQ A.				
<b>DATE:</b> Oct. 17, 07				
<b>APPR.:</b> PESSARD M.	Feb 28, 08	TDS updated + EN4644 pc tail extension added	LEBOCQ	PESSARD
	Issue	Revisions	Name	Approved