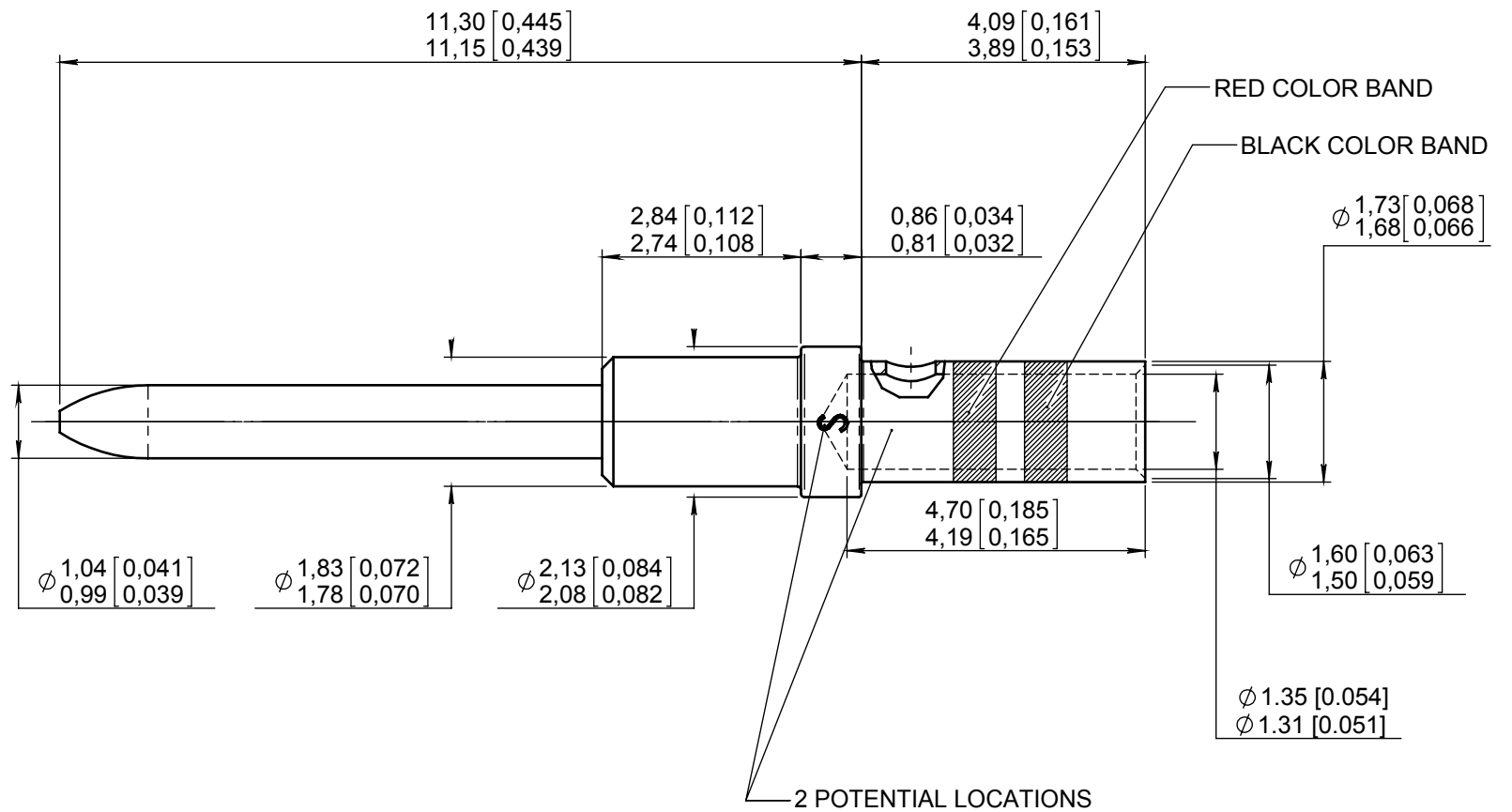


Series  
EPXB

SIZE 20 CRIMP PIN CONTACT  
WITH SIZE 18 CRIMP BARREL

Issue:  
Nov. 02, 2012

Page  
1/1



MATERIAL : BERYLLIUM COPPER.

FINISH : GOLD OVER NICKEL PLATED.

WIRING INSTRUCTIONS :

WIRES ACCOMODATED : AWG 18-20-22

WIRE MATERIAL: ANNEALED COPPER

MAX WIRE O.D. : 1.81 MAX (0.071)

MAX STRANDED CONDUCTOR DIAMETER: 1.22 max (.048)

STRIP LENGHT : 4 (.158)

ELECTRICAL CHARACTERISTICS: MAX CURRENT AMPS: 7.5A FOR AWG 18-20

CRIMP CONTACT TENSILE REQUIREMENTS USING MIL SPEC TOOLING AND WIRE SPEC  
M22520/2-01 18 GA. 30 LBF (13.4 daN)

CRIMPED CONTACTS WILL SHOW NO CRACK WHEN INSPECTED PER MIL-C-22520 AT 5X

RADIALL TOOLING RECOMMENDATION

CRIMPING TOOL : M22520/2-01 (RADIALL 282 281)

SELECTOR POSITION : 5 FOR AWG 18

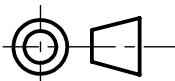
5 FOR AWG 20

4 FOR AWG 22

POSITIONER : M22520/2-08 (RADIALL 282 971)

INS/EXT TOOL : M81969/39-01

DIMENSIONS : mm (inch are given for information only)



Estimated weight : 0,16 g

CREATION

PEN: 2008-09-1855

NOM: VIEIRA D.

DATE: Nov. 02, 2012

APPR.: LE GLOAHEC Y

Issue	Revisions	Name	Approved

617221200EN

RADIALL PROPRIETARY INFORMATION

This document contains proprietary information and such information shall not be disclosed to any third party for any purpose whatsoever or used for manufacturing purposes without prior written agreement from RADIALL. This information is given as an indication. In the continual goal to improve our products, we reserve the right to make any modifications judged necessary.

4112\_9311