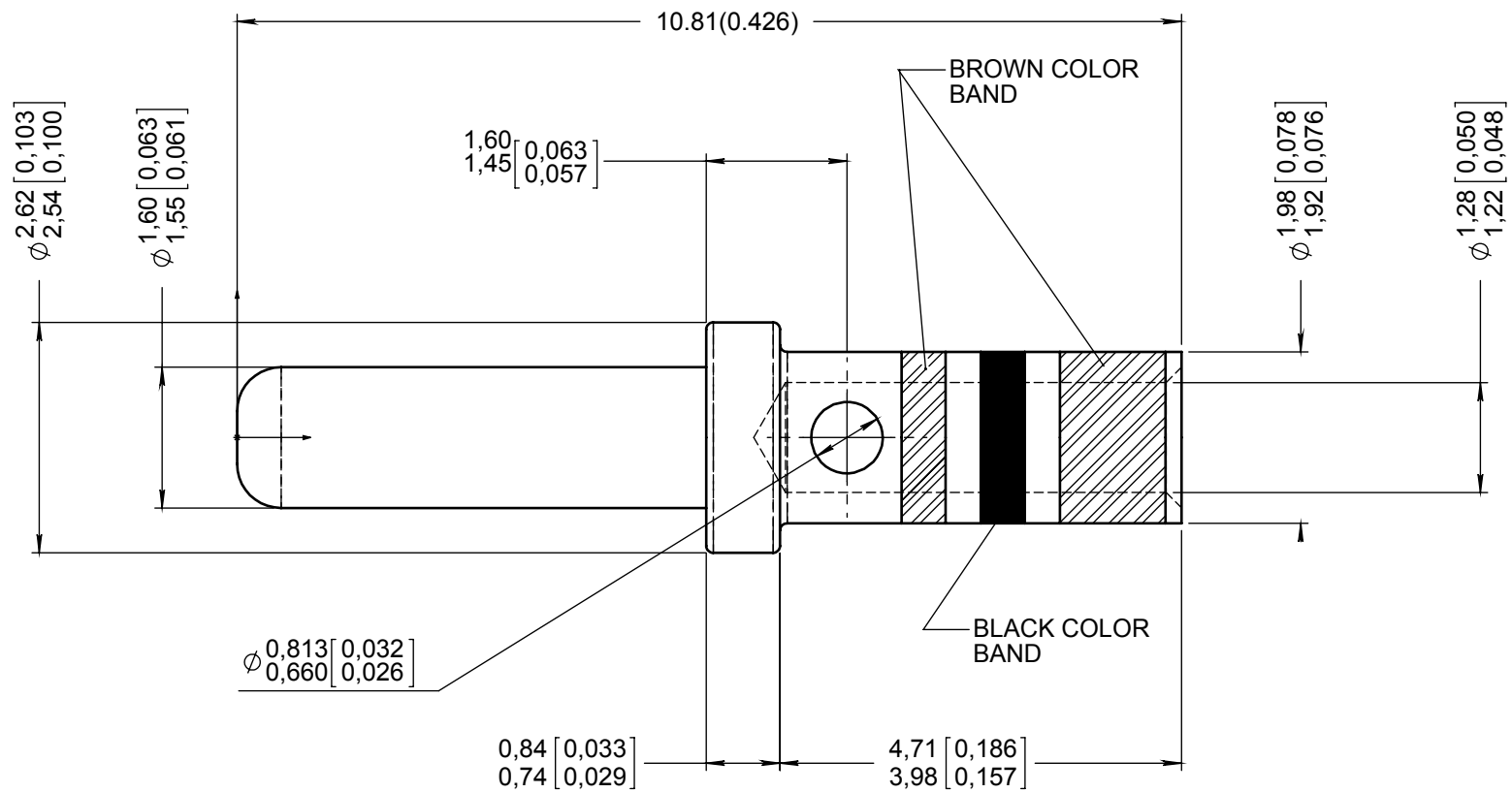


**Series  
EPXB**
**SIZE 16 CRIMP PIN CONTACT  
SIZE 20 REDUCED CRIMP BARREL  
(For EPXB ground blocks)**
**Issue:  
Oct 24, 14**
**Page  
1/1**


MATERIAL : COPPER ALLOY (C97) HARDNESS IN KNOOP 120 MAX (107 HV) FOR CRIMP BARREL  
180 MIN (165 HV) FOR BEYOND SHOULDER

FINISH : GOLD PER MIL-G-45204 TYPE I OR II GRADE C OR D CLASS 1 50 MICROINCHES OVER NICKEL PLATE PER QQ-N-290

WIRES ACCOMODATED : AWG 20-22-24  
INSULATOR DIAMETER : .071 MAX (1,80)  
STRIP LENGHT : .158 (4)

CRIMP CONTACT TENSILE REQUIREMENTS USING MIL SPEC TOOLING AND WIRE SPEC  
MIL-W-81381/12 20 GA. 20 LBS (9 daN)  
MIL-W-22759/41 20 GA. 20 LBS (9 daN)  
M22520/2-01 20 GA. 20 LBS (9 daN)

CRIMPED CONTACTS WILL SHOW NO CRACK WHEN INSPECTED PER MIL-C-22520 AT 10X

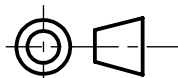
RADIALL TOOLING RECOMMENDATION  
CRIMPING TOOL : M22520/2-01 (RADIALL 282 281)  
SELECTOR POSITION : 7 FOR AWG 20  
6 FOR AWG 22  
5 FOR AWG 24  
POSITIONER : M22520/2-11 (RADIALL 282 581 015)

OR

CRIMPING TOOL : M22520/1-01 (RADIALL 282 291)  
SELECTOR POSITION : 4 FOR AWG 20  
POSITIONER : M22520/1-02 (RADIALL 282 972) (Red)

INSERTION/EXTRACTION TOOL : M81969/1-02 (RADIALL 282 886)  
SPL RADIALL INS. 282 881 / EXT. 282 891

**DIMENSIONS : mm (inch are given for information only)**



Estimated weight : g

CREATION				
PEN: M050400127B NOM: PAILOT N. DATE: 28 JUNE 2006 APPR.: PESSARD M.	Oct 24, 14	Hole dimentions added	YON P.	VIEIRA D.
	Aug 30, 10	Add of Selector of crimping tool & positioner	Delclaud N.	Legloahec
	June 17, 10	Add of crimping tool & positioner	Lebocq A.	Legloahec
	Sept 22, 08	Add of Radiall P/N for positioner	Lebocq A.	Demaret E
	Sept 16, 08	Insertion/extraction tool updated	Pailot N.	Pessard M
	Issue	Revisions	Name	Approved

617221050EN

RADIALL PROPRIETARY INFORMATION

This document contains proprietary information and such information shall not be disclosed to any third party for any purpose whatsoever or used for manufacturing purposes without prior written agreement from RADIALL. This information is given as an indication. In the continual goal to improve our products, we reserve the right to make any modifications judged necessary.

4112\_9311