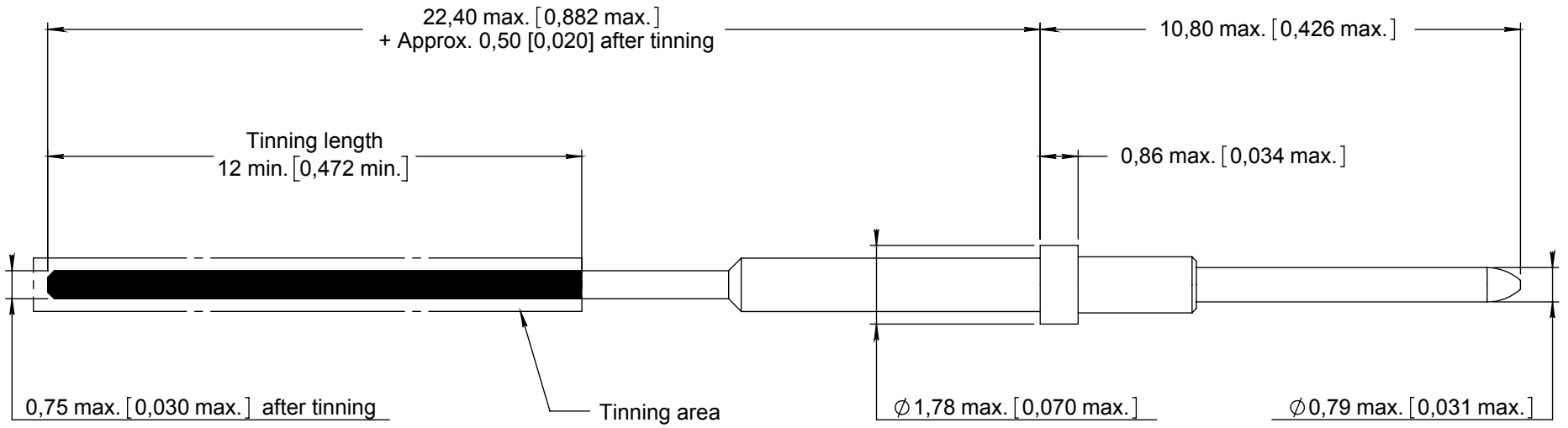


Series  
EPXB

SIZE 22 STRAIGHT PC TAIL PIN CONTACT LENGTH "ZD"  
617205009 LEAD TIN COATED (NOT RoHS)

Issue:  
Oct. 22, 2019

Page  
1/1



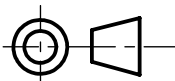
**MATERIAL & FINISHES:**

CONTACT BODY: Copper alloy; gold over nickel plated,  
PC TAIL: Lead Tin coated (Not RoHS).

INS/EXT TOOL: M81969 / 14-01 RADIALL P/N: 282 522

Confidential information not to be disclosed to third parties without Radiall approval. This information is given as an indication. In the continual goal to improve our products, we reserve the right to make any modifications judged necessary.

DIMENSIONS : mm (inch are given for information only)



Estimated weight : 0,20 g

CREATION  PEN:  NOM: LOPEZ C. DATE: Oct. 22, 2019 APPR.: GARCIA L.				
	Issue	Revisions	Name	Approved