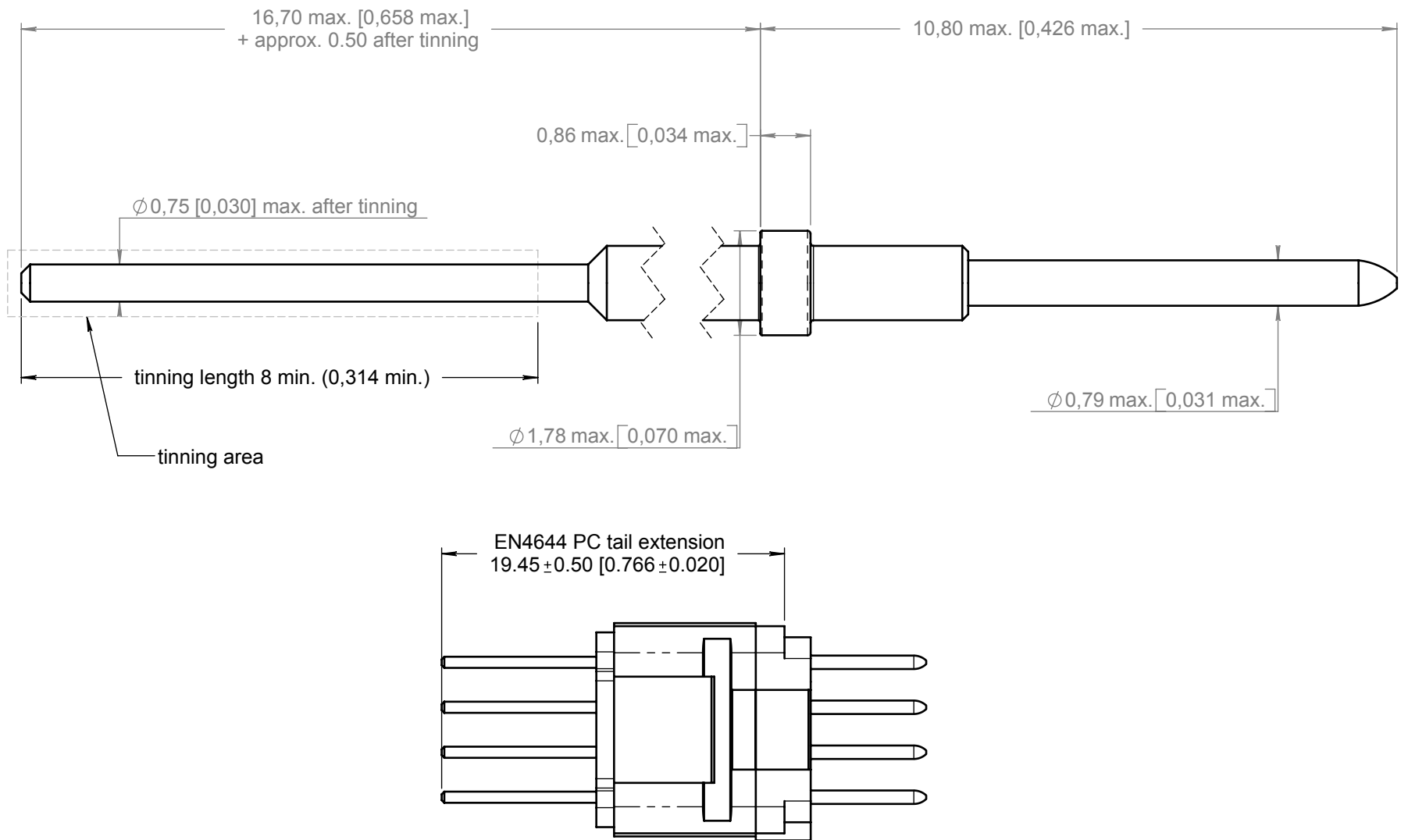


Series
EPX

SIZE 22 PIN PC TAIL CONTACT
617 205 001 RoHS TIN COATED

Issue:
Feb. 28, 08

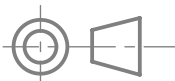
Page
1/1



MATERIAL AND FINISHES :
Copper alloy ; Gold over Nickel plated
PC tail : RoHS tin coated

INS/EXT TOOL : M81969 / 14-01 Radiall P/N: 282 522

DIMENSIONS : mm (inch are given for information only)



CREATION				
PEN: M070011005B				
NOM: LEBOCQ A.				
DATE: Feb. 05, 08				
APPR.: PESSARD M.	Feb 28, 08	Tail diameter 0.75 max was 0.80 max	LEBOCQ	PESSARD
	Issue	Revisions	Name	Approved

Confidential information not to be disclosed to third parties without Radiall approval. This information is given as an indication. In the continual goal to improve our products, we reserve the right to make any modifications judged necessary.

4112_9311