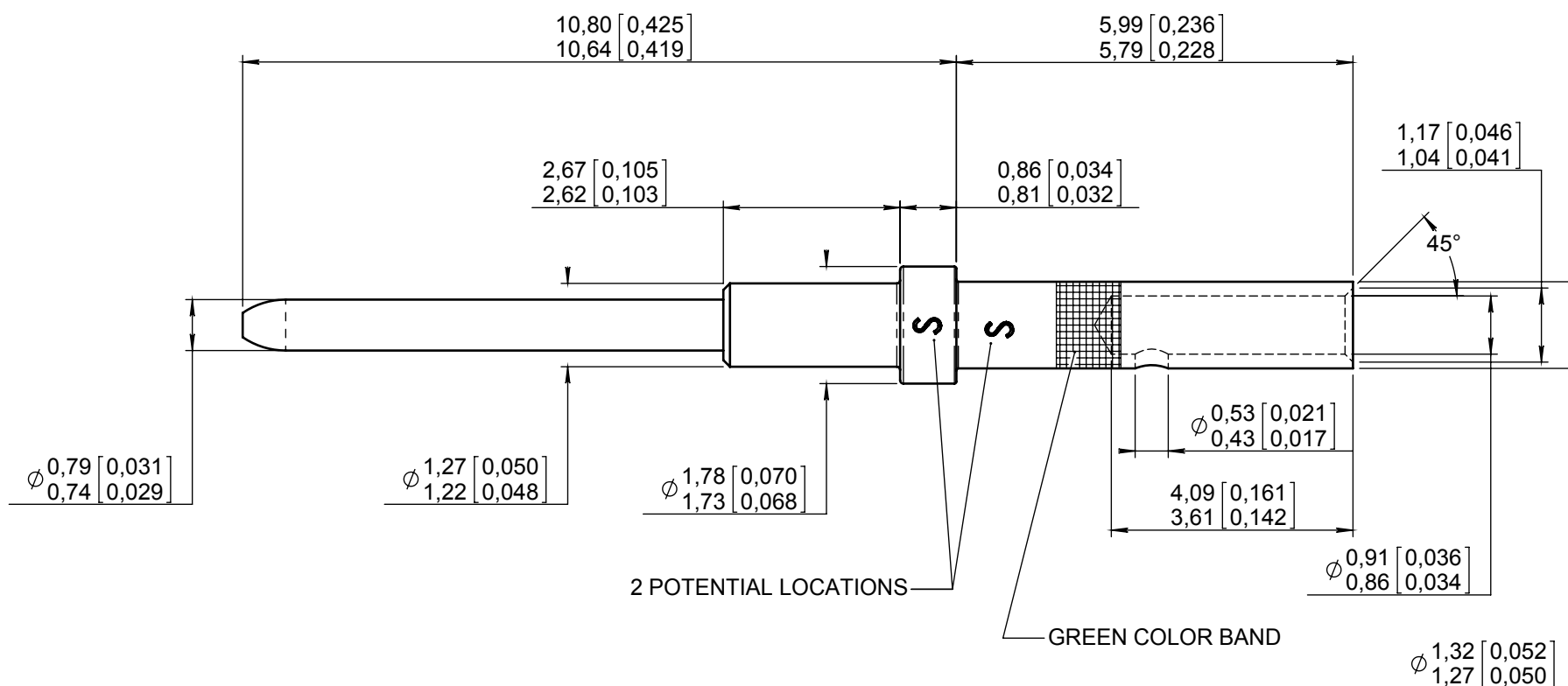


Series  
EPX

SIZE 22 REAR RELEASE REAR REMOVABLE CRIMP PIN CONTACT  
FOR AWG 22, 24 AND 26 CABLES

Issue:  
Feb. 12, 2014

Page  
1/1



MATERIAL : COPPER ALLOY HARDNESS IN KNOOP 120 MAX (107 HV) FOR CRIMP BARREL  
180 MIN (165 HV) FOR BEYOND SHOULDER

FINISH : GOLD PER MIL-G-45204 TYPE I OR II GRADE C OR D CLASS 1 50 MICRINCHES OVER NICKEL PLATE PER QQ-N-290

WIRES ACCOMODATED : AWG 22-24-26  
INSULATOR DIAMETER : .055 MAX (1,40)  
STRIP LENGHT : .138 (3,50)

CRIMP CONTACT TENSILE REQUIREMENTS USING MIL SPEC TOOLING AND WIRE SPEC  
M22520/2-01 22 GA. 11 LBS (5,5 daN)

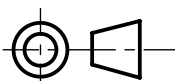
CRIMPED CONTACTS WILL SHOW NO CRACK WHEN INSPECTED PER MIL-C-22520 AT 10X

RADIALL TOOLING RECOMMENDATION  
CRIMPING TOOL : M22520/2-01 (RADIALL 282 281)  
SELECTOR POSITION : 4 FOR AWG 22  
3 FOR AWG 24  
3 FOR AWG 26

POSITIONER : M22520/2-23 (RADIALL 282 970)

INSERTION/EXTRACTION TOOL : M81969/14-01 (RADIALL 282 522)

DIMENSIONS : mm (inch) are given for information only



Estimated weight : 0,15 g

CREATION				
PEN:				
NOM: MACARI JP.	Feb. 12, 2014	Insertion/extraction tool P/N updated.	MONTIER A.	LEGLOAHEC Y.
DATE: Nov 01, 86	Jan 04, 13	Barrel lenght corrected. 5,79/5,99 was 5,84/6,03	VIEIRA	LEGLOAHEC
APPR.:	Nov 28, 06	Redrawn and dimensions modified	PAILOT N	DUPUIS
	Issue	Revisions	Name	Approved

This document contains proprietary information and such information shall not be disclosed to any third party for any purpose whatsoever or used for manufacturing purposes without prior written agreement from RADIALL. This information is given as an indication. In the continual goal to improve our products, we reserve the right to make any modifications judged necessary.

4112\_9311