

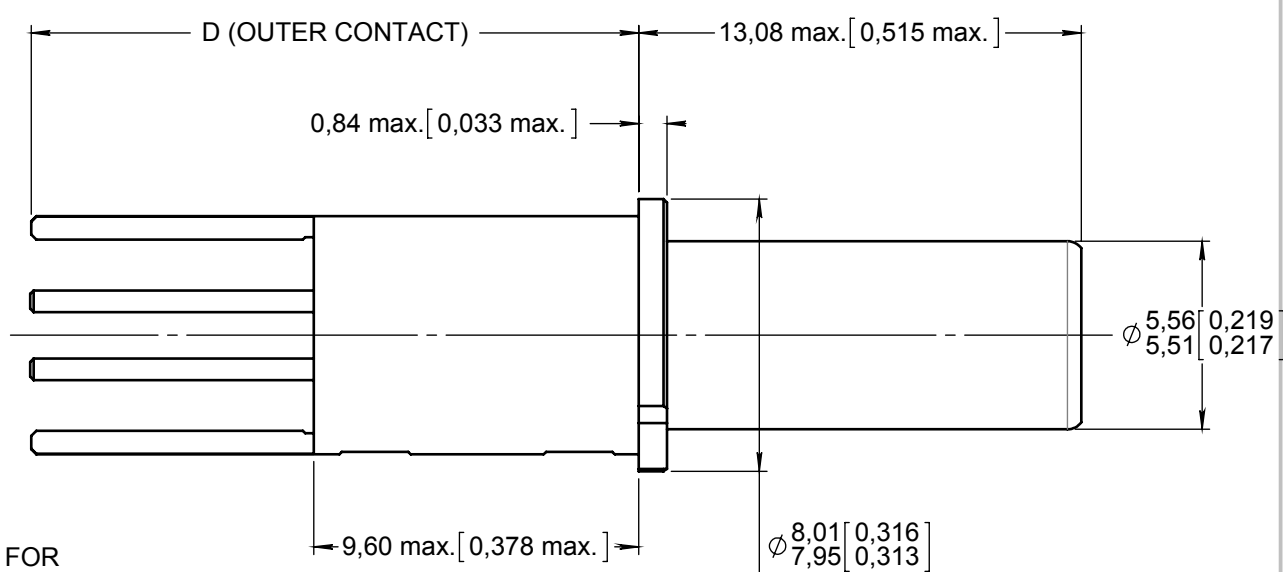
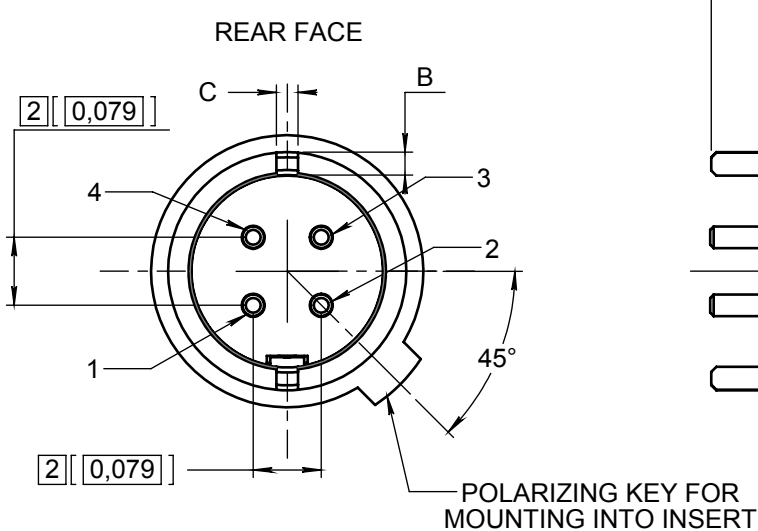
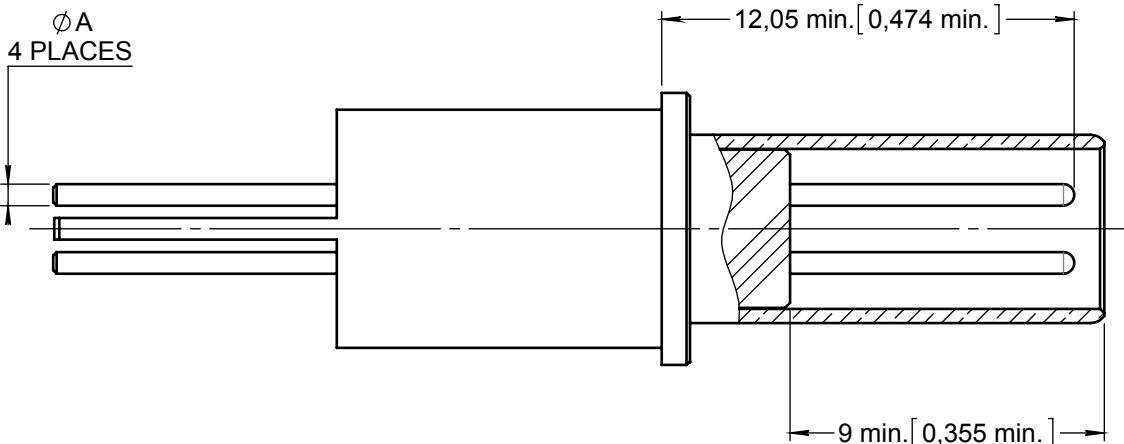
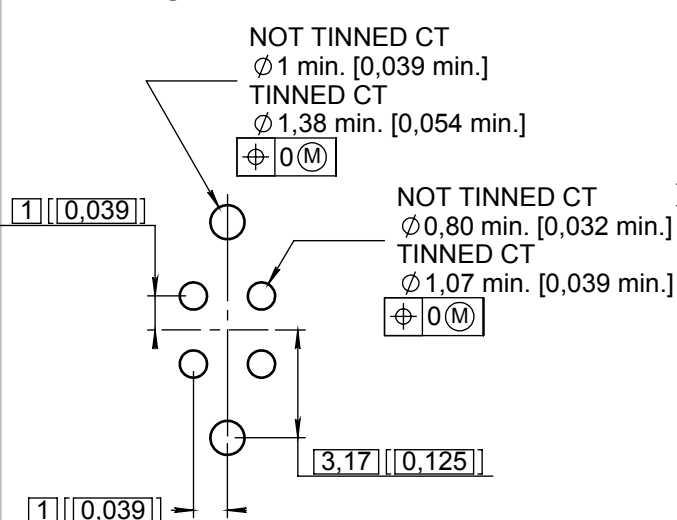
Series  
EPX

SIZE 8 REAR RELEASE, REAR REMOVABLE  
PC POST PIN QUADRAX CONTACTS

Issue:  
Mar 27th, 2013

Page  
1/1

### RECOMMENDED PC DRILL PATTERN



	CTS P/N	Type	ØA		B		C		D	
			BEFORE TINNING	AFTER TINNING	BEFORE TINNING	AFTER TINNING	BEFORE TINNING	AFTER TINNING	BEFORE TINNING	AFTER TINNING
NOT TINNED	617 177 012	YA		NA		NA		NA		NA
TIN LEADED	617 177 712	ZA	Ø0,67 [0,027]		0,675 [0,266]		0,675 [0,266]		12,90 [0,508]	
ROHS TINNED	617 177 512	RA	Ø0,60 [0,023]	0,80 MAX [0,032]	0,595 [0,234]	0,83 MAX [0,033]	0,595 [0,234]	0,83 MAX [0,033]	12,70 [0,500]	13,40 MAX [0,528]
NOT TINNED	617 177 001	YB		NA		NA		NA		NA
TIN LEADED	617 177 701	ZB	Ø0,67 [0,027]		0,675 [0,266]		0,675 [0,266]		16,10 [0,634]	
ROHS TINNED	617 177 501	RB	Ø0,60 [0,023]	0,80 MAX [0,032]	0,595 [0,234]	0,83 MAX [0,033]	0,595 [0,234]	0,83 MAX [0,033]	15,90 [0,626]	16,60 MAX [0,654]
NOT TINNED	617 177 008	YC		NA		NA		NA		NA
TIN LEADED	617 177 708	ZC	Ø0,67 [0,027]		0,675 [0,266]		0,675 [0,266]		17,95 [0,707]	
ROHS TINNED	617 177 508	RC	Ø0,60 [0,023]	0,80 MAX [0,032]	0,595 [0,234]	0,83 MAX [0,033]	0,595 [0,234]	0,83 MAX [0,033]	17,75 [0,699]	18,45 MAX [0,727]
NOT TINNED	617 177 013	YD		NA		NA		NA		NA
TIN LEADED	617 177 713	ZD	Ø0,67 [0,027]		0,675 [0,266]		0,675 [0,266]		21,90 [0,863]	
ROHS TINNED	617 177 513	RD	Ø0,60 [0,023]	0,80 MAX [0,032]	0,595 [0,234]	0,83 MAX [0,033]	0,595 [0,234]	0,83 MAX [0,033]	21,70 [0,854]	22,40 MAX [0,882]

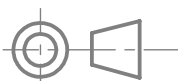
#### MATERIAL & FINISHES :

- OUTER CONTACT : Brass, gold over nickel plated.
- CENTER CONTACT : Copper alloy, gold over nickel plated.
- DIELECTRIC : PTFE or equivalent.

#### NOTE :

- EXTRACTION TOOL : RADIALL P/N 282 549 001

DIMENSIONS : mm (inch are given for information only)



CREATION				
PEN:				
NOM: CHEVERAU M.				
DATE: Mar 27th, 2013				
APPR.: DELCLAUD N.	Issue	Revisions	Name	Approved