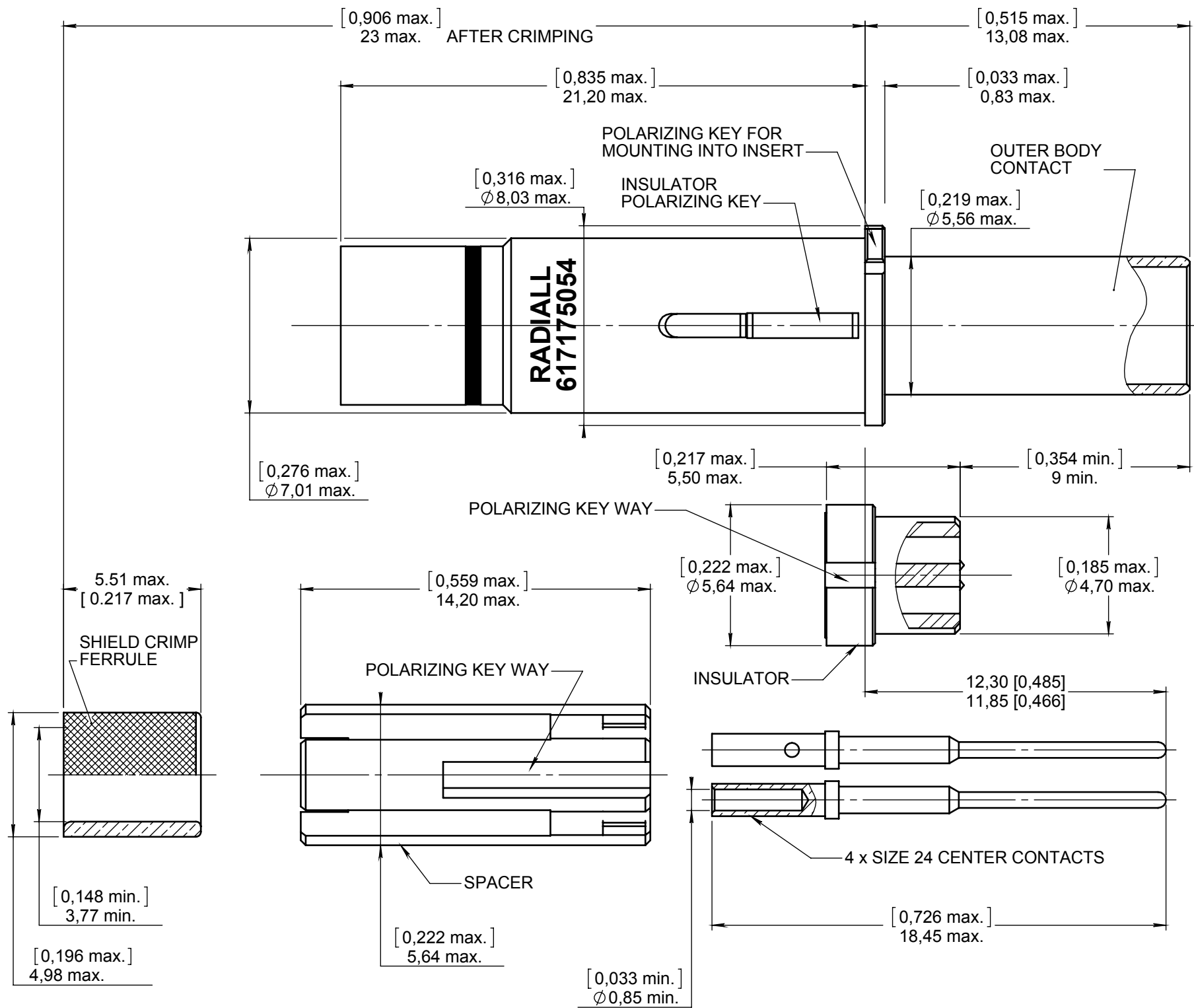


Series
EPXB

NON ENVIRONMENTAL SIZE 8 QUADRAX PIN CONTACT
FOR QUADRAX TENSOLITE NF26Q100 CABLES
FOR QUADRAX GORE RCN8487-1 CABLES

Issue:
Nov. 10, 2015

Page
1/1



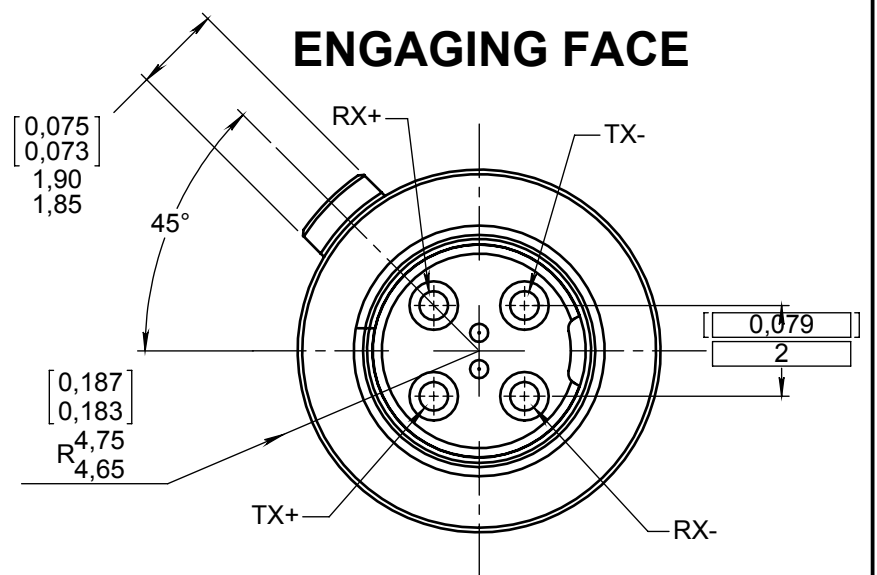
MATERIAL AND FINISHES :

- OUTER CONTACT : COPPER ALLOY
- CENTER CONTACTS : COPPER ALLOY
- FERRULE : COPPER ALLOY
- INSULATOR : PFA OR EQUIVALENT
- SPACER : THERMOPLASTIC
- ALL METAL PARTS: GOLD OVER NICKEL PLATED

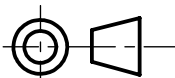
EXTRACTION TOOL :

- M81969/28.03 (RADIALL: 282 549 001) OR M81969/14-06

WIRING INSTRUCTIONS : See RP55178



DIMENSIONS : mm (inch are given for information only)



Estimated weight : 4.1 g

CREATION

PEN:

NOM: POLINE E.

DATE: Nov. 10, 2015

APPR.: VIEIRA D.

Issue	Revisions	Name	Approved

617175054EN

RADIALL PROPRIETARY INFORMATION

This document contains proprietary information and such information shall not be disclosed to any third party for any purpose whatsoever or used for manufacturing purposes without prior written agreement from RADIALL. This information is given as an indication. In the continual goal to improve our products, we reserve the right to make any modifications judged necessary.

4112_9311