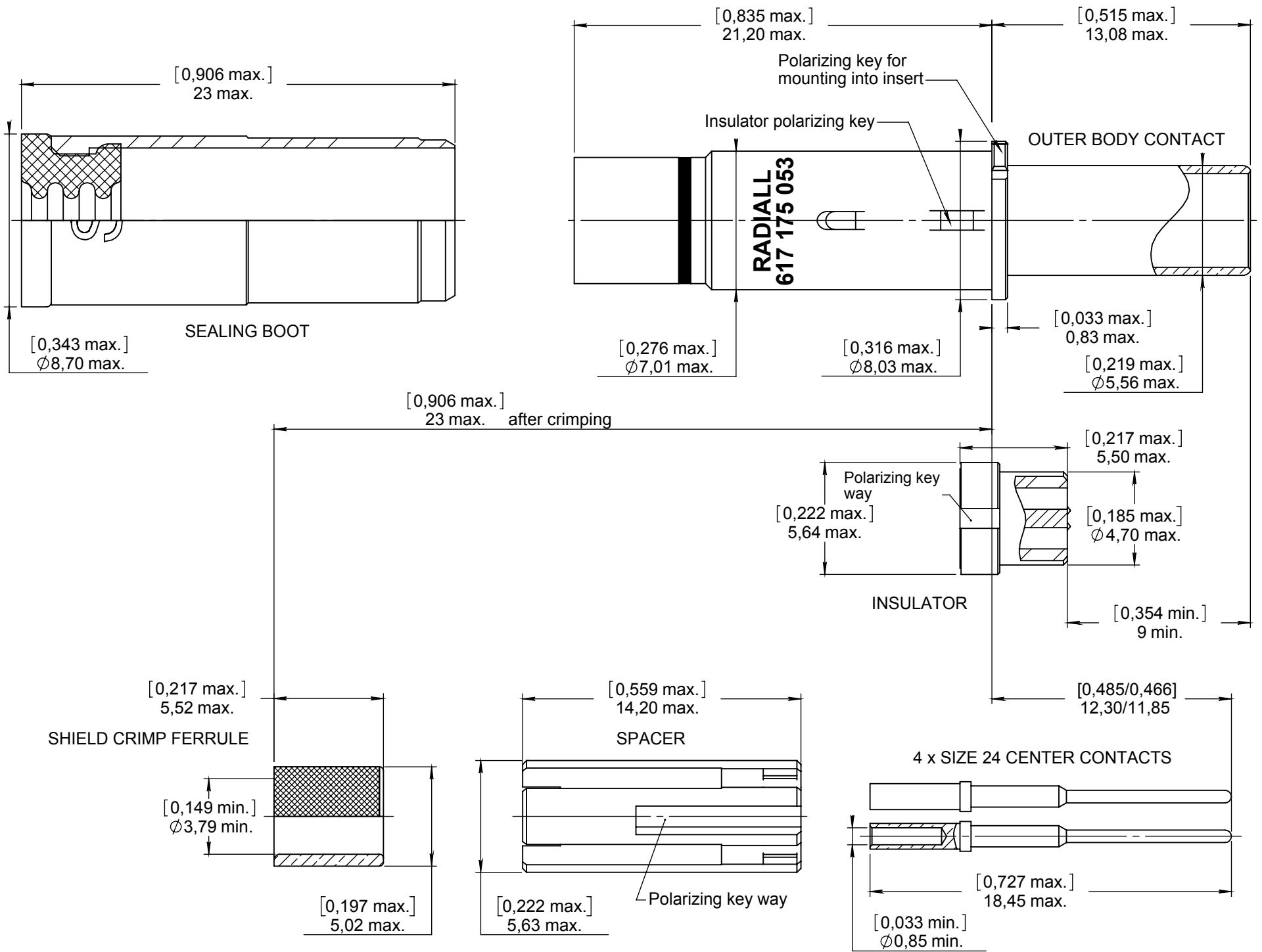


Series
EPXB

ENVIRONMENTAL SIZE 8 QUADRAX PIN CONTACT
FOR QUADRAX TENSOLITE NF26Q100 CABLES
FOR QUADRAX GORE RCN8487-1 CABLES

Issue:
Dec. 19, 2018

Page
1/1



MATERIAL:

- OUTER CONTACT : COPPER ALLOY
- CENTER CONTACTS : COPPER ALLOY
- FERRULE : COPPER ALLOY
- INSULATOR : PFA OR EQUIVALENT
- SPACER : THERMOPLASTIC
- SEALING BOOT: THERMOPLASTIC AND FLUOROSILICONE.

FINISH:

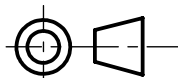
- ALL METAL PARTS: GOLD OVER NICKEL PLATED

EXTRACTION TOOL:

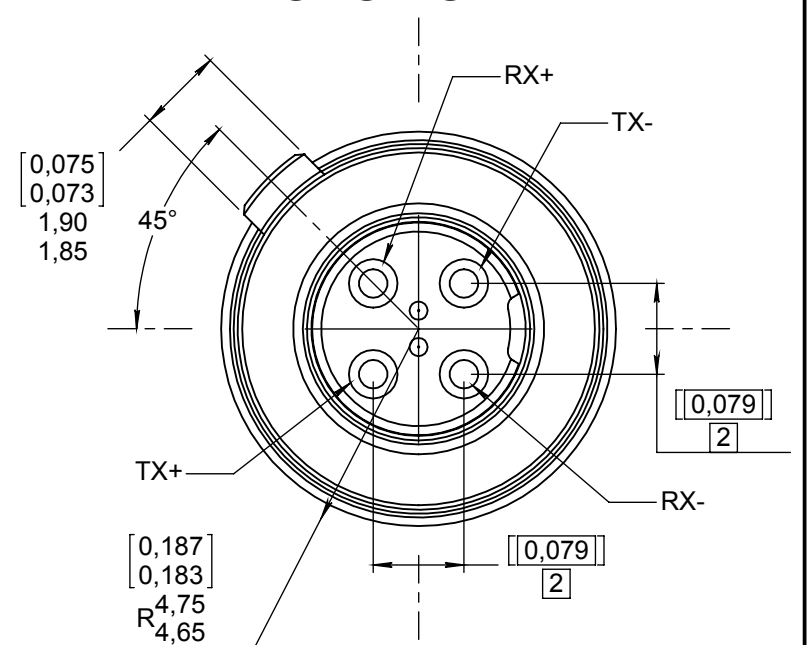
- M81969/28.03 (RADIALL: 282 549 001) OR M81969/14-06

WIRING INSTRUCTIONS: SEE RP55178

DIMENSIONS : mm (inch are given for information only)



ENGAGING FACE



Estimated weight: 4,72g

CREATION

PEN: M070004817A

NOM: MALTY S.

DATE: Nov. 19, 2007

APPR.: PESSARD M.

Issue	Revisions	Name	Approved
Dec. 19, 18	Corrected engaging face contact positions	Weihls H.	Lopez C.
Dec. 14, 18	Added estimated weight, updated contact body dimensions.	Weihls H.	Lopez C.
Jan 29, 09	Equivalent material of PTFE added for insulator	Pailot N.	Pessard M.
Sept. 25, 08	Quadrax GORE RNC8487-1 cables added.	Malty S.	Pessard M.
Nov. 30, 07	RP55178 was RP57339	Malty S.	Pessard M.

617175053EN

RADIALL PROPRIETARY INFORMATION