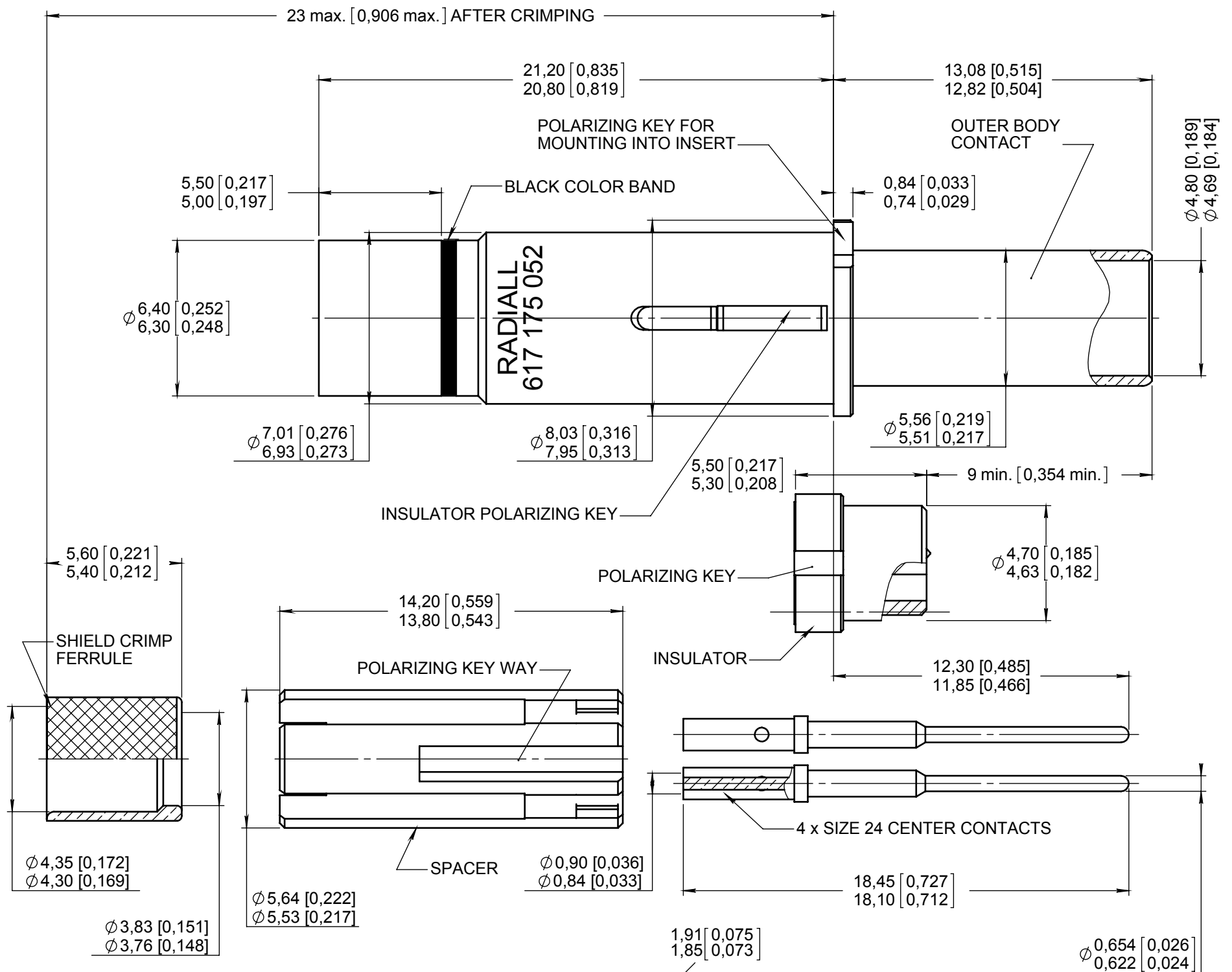


Series
EPXB

SIZE 8 QUADRAX PIN CONTACT
FOR QUADRAX TENSOLITE NF24Q100 CABLES

Issue:
June 10, 2013

Page
1/1



MATERIALS & FINISHES :

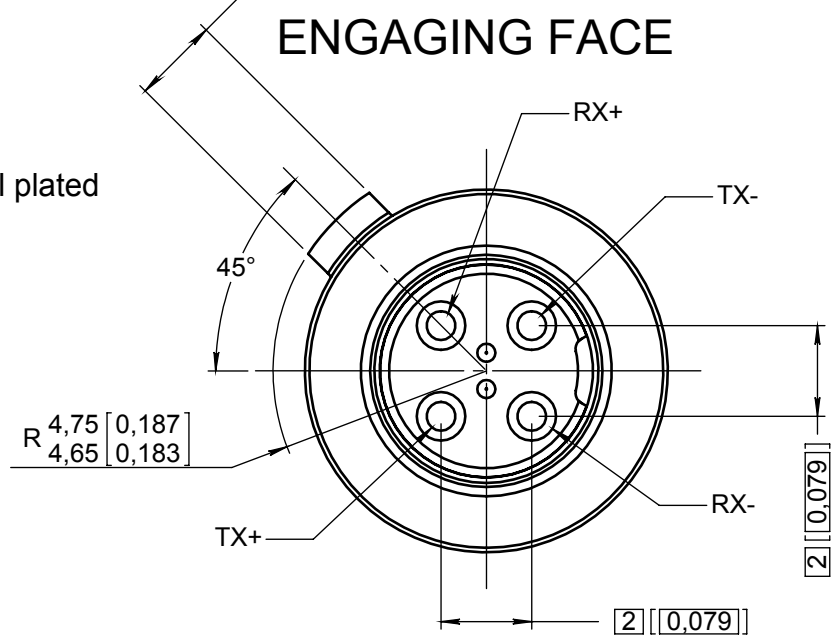
- OUTER : Copper alloy, gold over nickel plated
- CENTER CONTACTS : Copper alloy, gold over nickel plated
- FERRULE : Copper alloy, gold over nickel plated
- INSULATOR : PTFE or equivalent
- SPACER : Thermoplastic

EXTRACTION TOOL :

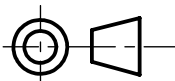
- M81969/28.03 or M81969/14-06
- RADIALL : 282 549 001

WIRING INSTRUCTIONS :

- See RP57339



DIMENSIONS : mm (inch are given for information only)



Estimated weight : 4 g

This document contains proprietary information and such information shall not be disclosed to any third party for any purpose whatsoever or used for manufacturing purposes without prior written agreement from RADIALL. This information is given as an indication. In the continual goal to improve our products, we reserve the right to make any modifications judged necessary.

4112_9311

CREATION				
PEN:				
NOM: VIEIRA D.				
DATE: June 10, 2013				
APPR.: PAILOT N.				
	Issue	Revisions	Name	Approved