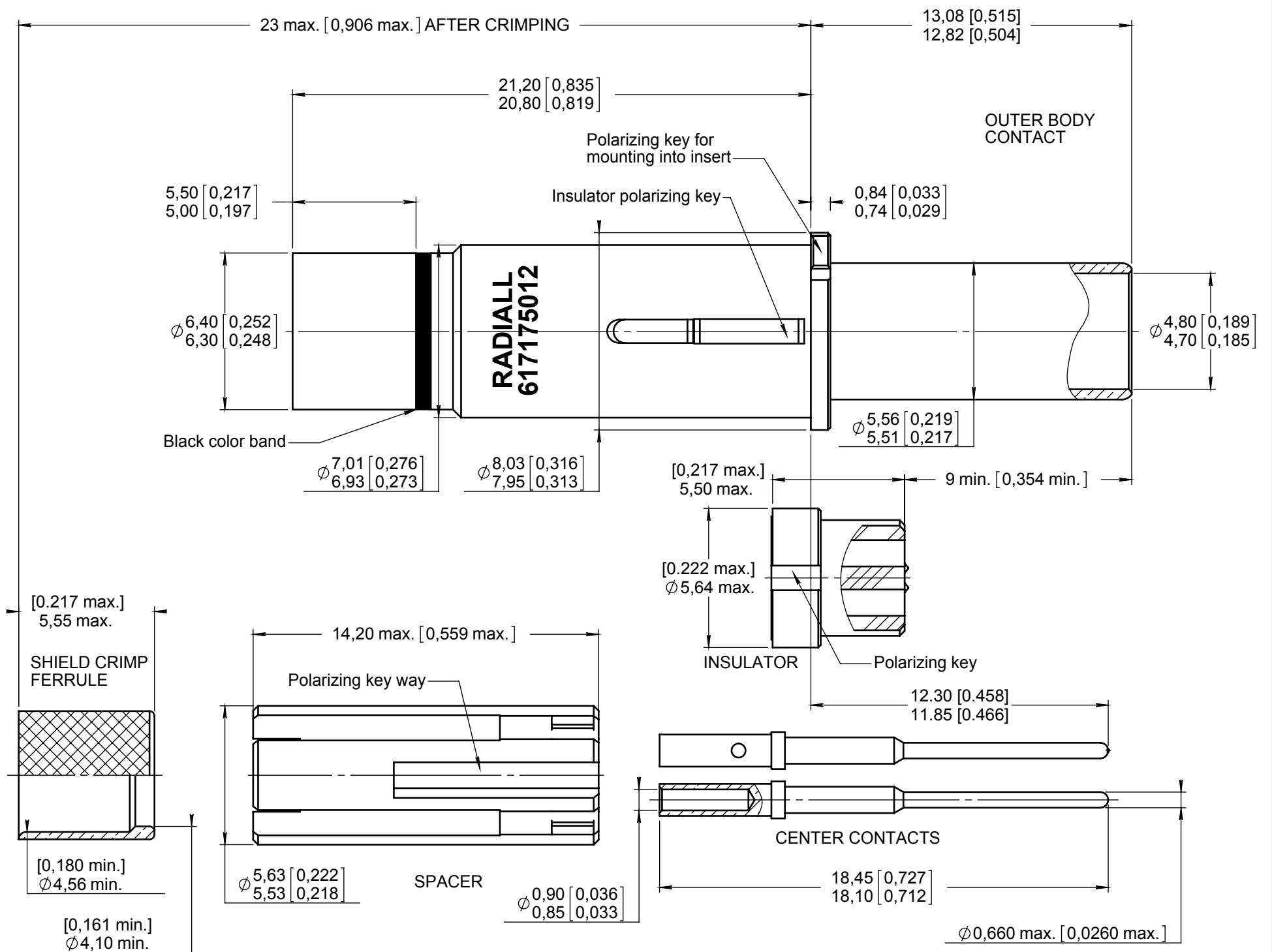


Series  
EPX

SIZE 8 QUADRAX PIN CONTACT  
FOR ABS0972, ABS1503KD24 & ABS1503KL24, GSC01-81869-01  
AND THERMAX T956-4T200 CABLES

Issue:  
Oct. 23, 2015

Page  
1/1



**MATERIAL:**

- OUTER CONTACT : COPPER ALLOY PER ASTM-B-453
- CENTER CONTACTS : COPPER ALLOY C19160
- FERRULE : COPPER ALLOY PER ASTM-B-455
- INSULATOR : PFA PER ASTM-D-3307 OR EQUIVALENT
- SPACER : THERMOPLASTIC PER ASTM D 5205

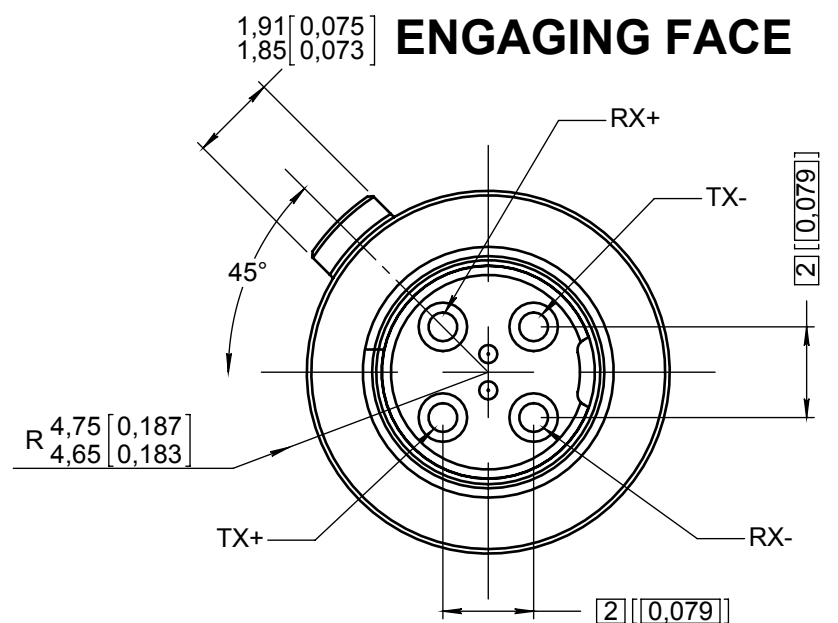
**FINISH:**

- ALL METAL PARTS:  
PLATING .00005 INCH OF GOLD PER AMS 2422  
OVER NICKEL PER SAE AMS QQ-N-290

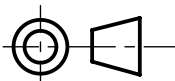
**EXTRACTION TOOL:**

- M81969/28.03 (RADIALL: 282 549 001) or M81969/14-06.

WIRING INSTRUCTIONS: See RP55178.



DIMENSIONS : mm (inch are given for information only)



Estimated weight : 4 g

CREATION  PEN:  NOM: CHEVREAU M. DATE: May 14, 13 APPR.: SURAULT S.				
	Oct. 23, 15	Add cable per ABS1503KL24	Moutault	Vieira
	Aug 24, 15	TDS updated : insulator and spacer material modification and spacer and ferrule dimensions corrected	YON P.	VIEIRA D.
	Issue	Revisions	Name	Approved

This document contains proprietary information and such information shall not be disclosed to any third party for any purpose whatsoever or used for manufacturing purposes without prior written agreement from RADIALL. This information is given as an indication. In the continual goal to improve our products, we reserve the right to make any modifications judged necessary.