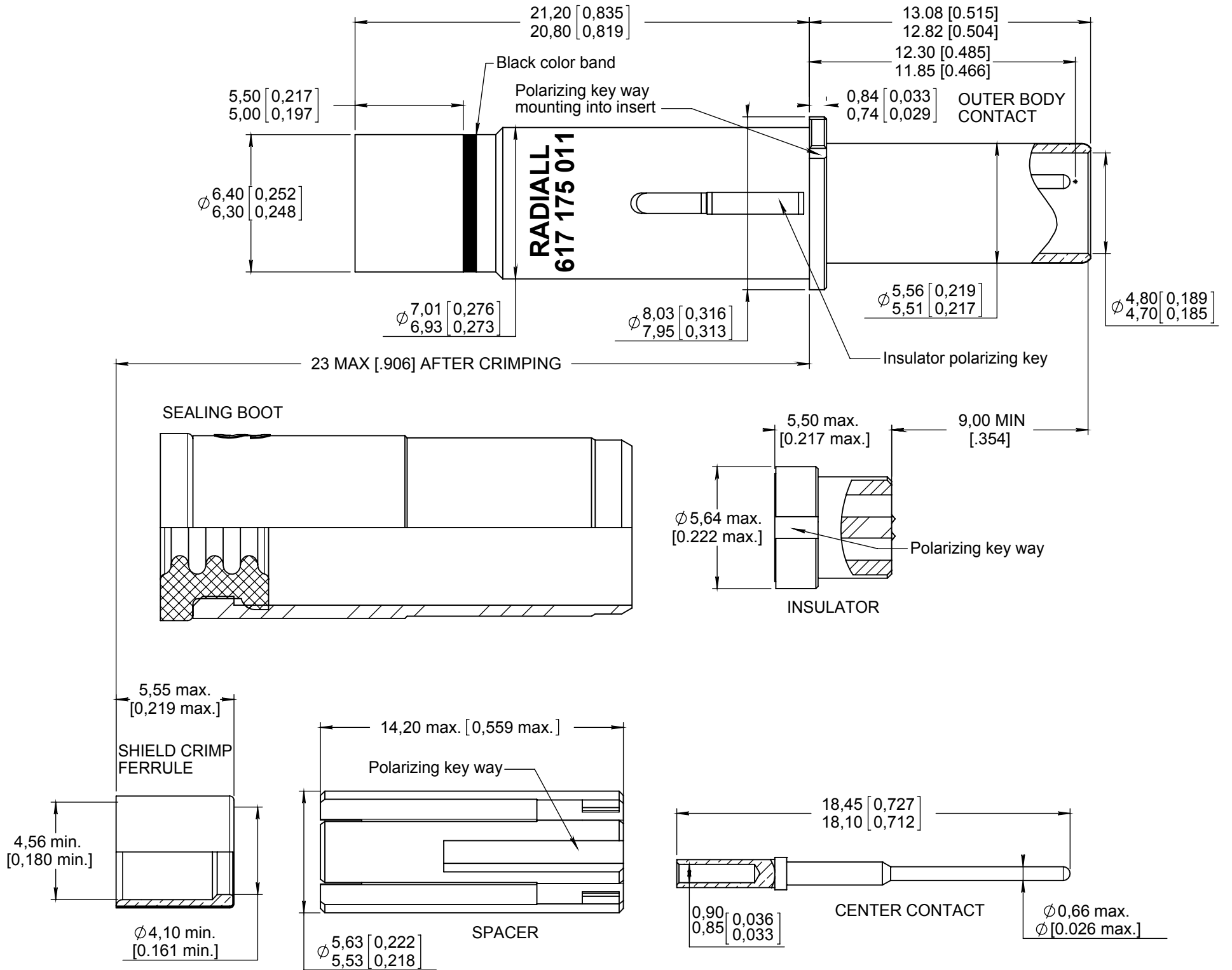


**Series
EPXB**
**ENVIRONMENTAL SIZE 8 QUADRAX PIN CONTACT
FOR QUADRAX ETHERNET CABLES PER ABS1503KD24, ABS1503KDL4 AND PIC E50424**
**Issue:
Mar. 03, 2016**
**Page
1/1**

MATERIAL:

- OUTER CONTACT : COPPER ALLOY PER ASTM-B-453
- CENTER CONTACTS : COPPER ALLOY C19160
- FERRULE : COPPER ALLOY PER ASTM-B-455
- INSULATOR : PFA PER ASTM-D-3307 OR EQUIVALENT
- SPACER : THERMOPLASTIC PER ASTM D 5205
- SEALING BOOT : THERMOPLASTIC PER ASTM-D-4067 AND FLUOROSILICONE PER SAE AMS-R-25988.

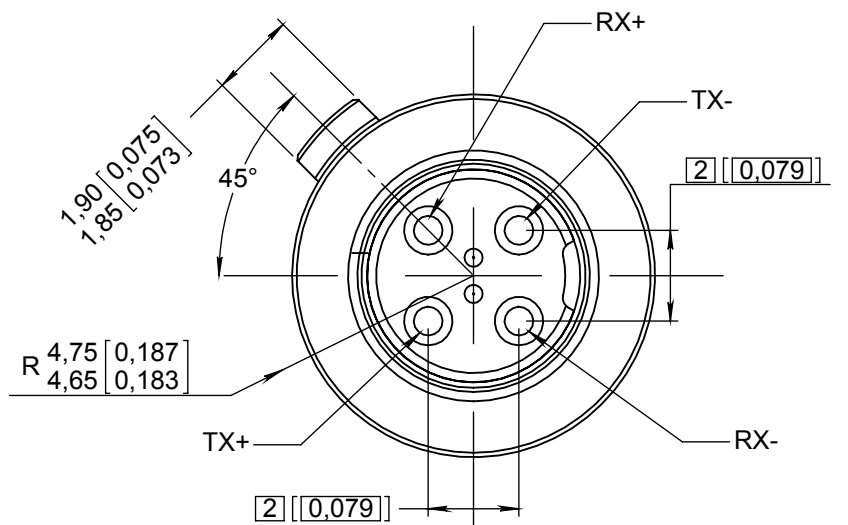
FINISH:

- ALL METAL PARTS:
PLATING .00005 INCH OF GOLD PER AMS 2422
OVER NICKEL PER SAE AMS QQ-N-290

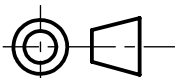
EXTRACTION TOOL:

- M81969/28.03 (RADIALL: 282 549 001) or M81969/14-06.

WIRING INSTRUCTIONS: See RP55178.

ENGAGING FACE


Estimated weight : 4 g

DIMENSIONS : mm (inch are given for information only)

CREATION
PEN: M050400127A

| | | | |
|-------------|-----------------------------|----------|--------|
| Mar. 03, 16 | Cable per PIC E50424 added | Yon P. | Vieira |
| Oct. 23, 15 | Cable per ABS1503KL24 added | Moutault | Vieira |

NOM: LE GLOAHEC

| | | | |
|------------|--|-----------|-------------|
| Aug 24, 15 | TDS updated : insulator and spacer material modification and spacer and ferrule dimensions corrected | Yon P. | Vieira D. |
| May 14, 13 | Rounding mistake updated | Pailot N. | LeGloahec Y |

DATE: JAN 03, 2005
APPR.: PESSARD

| | | | |
|-------|-----------|------|----------|
| Issue | Revisions | Name | Approved |
|-------|-----------|------|----------|