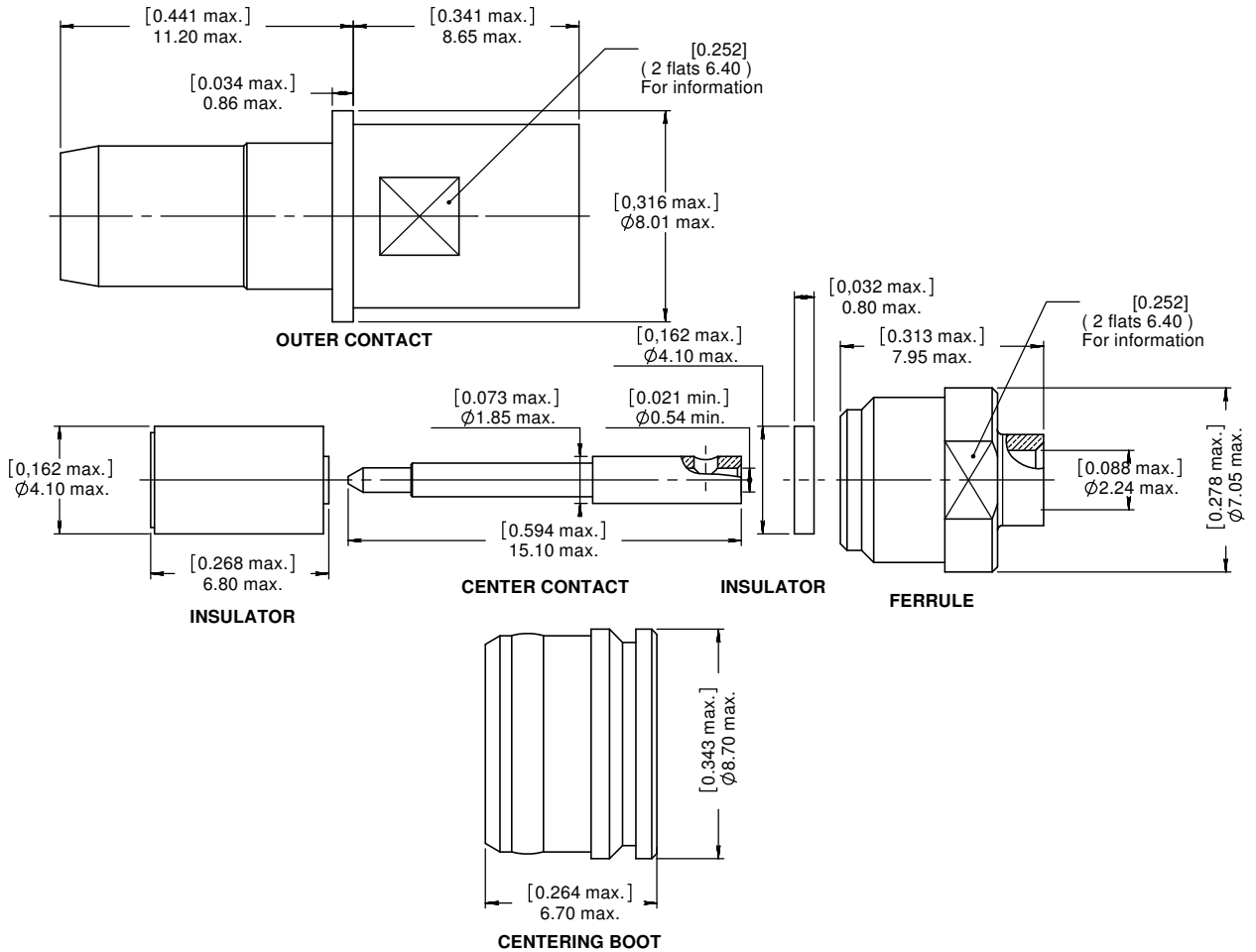


Series
EPXB

SIZE 8 PIN BMA QUADRAX CONTACT
FOR SHF2.4M ; UT.085 ; Harbour SS405 ; times Tflex405 ; KS1 & RG405 CABLES

Issue:
March 24, 2010

Page
1/1



MATERIALS & FINISHES :

- OUTER CONTACT : Stainless steel, passivated
- CENTER CONTACT : Brass, Gold over nickel
- INSULATOR : PTFE or equivalent
- FERRULE : Brass, gold over Nickel
- CENTERING BOOT : PTFE

ELECTRICAL CHARACTERISTICS :

- IMPEDANCE : 50 Ω
- FREQUENCY : 0-18 Ghz
- VSWR = 1.07 + 0.0100 x F(Ghz) Maxi
- INSERTION LOSS = 0.03 √ F (Ghz) dB Maxi
- VOLTAGE RATING : 350 Veff Maxi
- DIELECTRIC WITHSTANDING VOLTAGE : 1000 Veff Mini
- INSULATION RESISTANCE : 5000 MΩ mini

NOTES :

- EXTRACTION TOOL : M81869/28-03 (RADIALL : 282 549 001) or M81869/14-06
- Contacts for SHF cables can't be sold alone but with a complete cable assembly
- MOUNTING INSTRUCTION : MICT0500000

DIMENSIONS : mm (inch are given for information only)



Confidential information not to be disclosed to third parties without Radiall approval. This information is given as an indication. In the continual goal to improve our products, we reserve the right to make any modifications judged necessary.

4112_9311

CREATION					
PEN: 1007992					
NOM: PAILOT N.					
DATE: March 24, 2010					
APPR.: LE GLOAHEC					
Issue		Revisions		Name	Approved