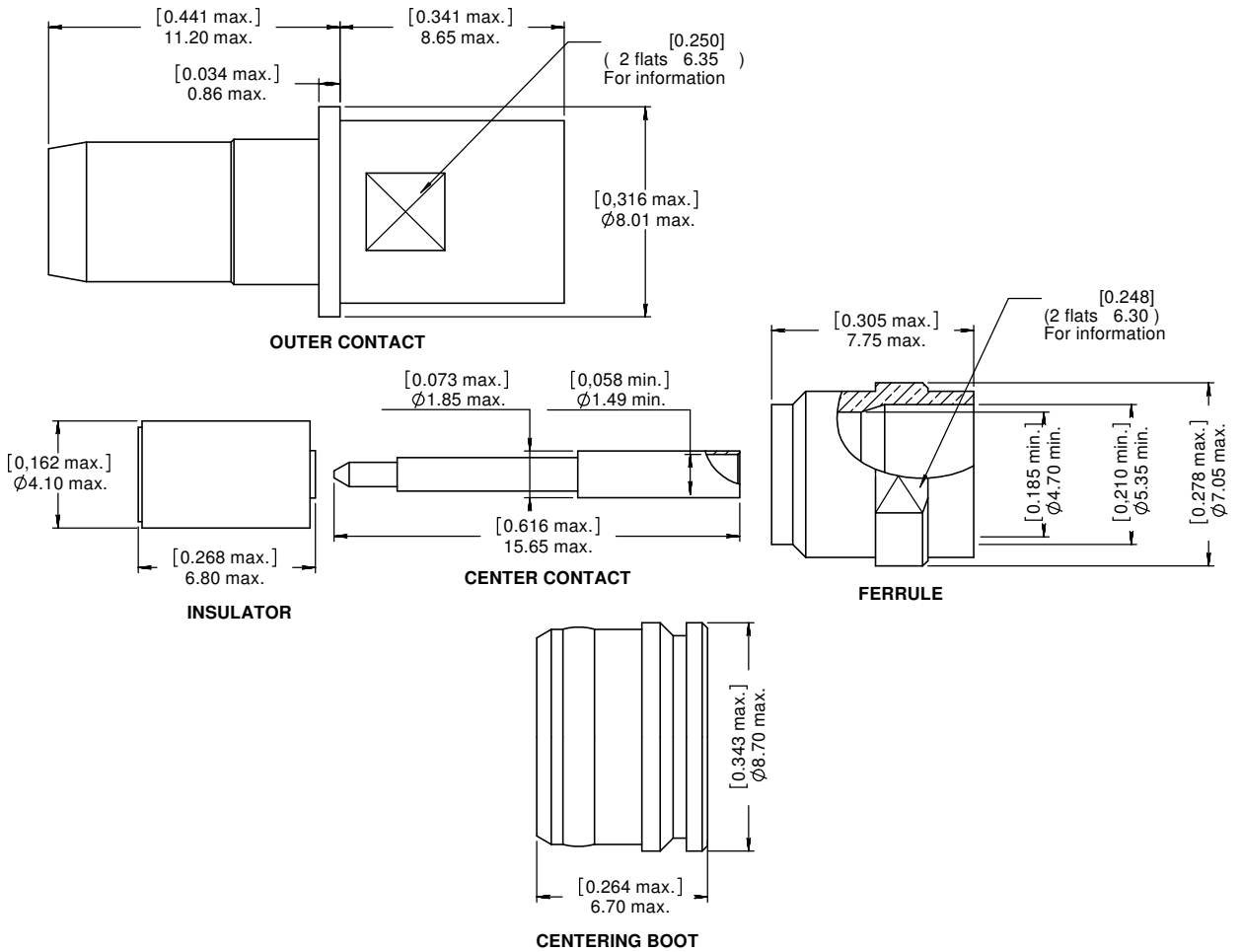


Series  
**EPXB**

SIZE 8 PIN BMA QUADRAX CONTACT  
FOR SHF5 ; SHF5T & SHF5M CABLE

Issue:  
March 23, 2010

Page  
**1/1**



**MATERIALS & FINISHES :**

- OUTER CONTACT : Stainless steel, passivated
- CENTER CONTACT : Brass, Gold over nickel
- INSULATOR : PTFE or equivalent
- FERRULE : Brass, gold over Nickel
- CENTERING BOOT : PTFE or equivalent

**ELECTRICAL CHARACTERISTICS :**

- IMPEDANCE : 50 Ω
- FREQUENCY : 0-18 Ghz
- VSWR = 1.10 Maxi
- INSERTION LOSS = 0.03 √ F (Ghz) dB Maxi
- VOLTAGE RATING : 500 Veff Maxi
- DIELECTRIC WITHSTANDING VOLTAGE : 1500 Veff Mini
- INSULATION RESISTANCE : 5000 MOhm mini

**NOTES :**

- EXTRACTION TOOL : M81869/28-03 (RADIALL : 282 549 001) or M81869/14-06
- Contacts for SHF cables can't be sold alone but with a complete cable assembly

DIMENSIONS : mm (inch are given for information only)



Confidential information not to be disclosed to third parties without Radiall approval. This information is given as an indication. In the continual goal to improve our products, we reserve the right to make any modifications judged necessary.

4112\_9311

<b>CREATION</b>					
<b>PEN:</b> 1007992					
<b>NOM:</b> PAILOT N.					
<b>DATE:</b> March 23, 2010					
<b>APPR.:</b> LE GLOAHEC					
Issue		Revisions		Name	Approved