

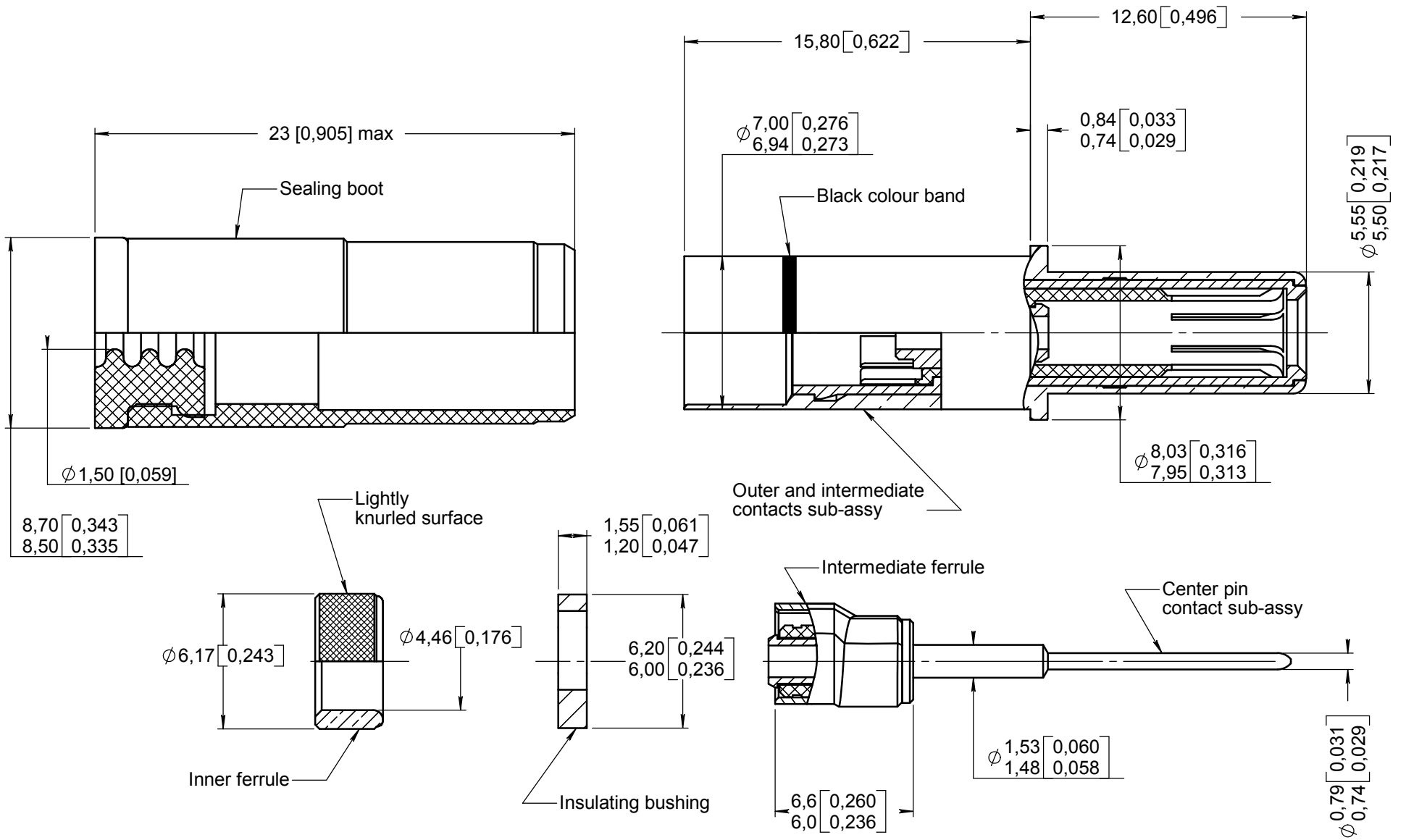


Series  
EPXB

CONCENTRIC SIZE 8 TRIAX PIN CONTACT  
FOR WHITMOR 2675-1575 TWINAX CABLE.

Issue:  
March 24, 2005

Page  
1/1



**MATERIALS:**

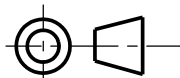
- OUTER, INTERMEDIATE, AND CENTER CONTACT: COPPER ALLOY.
- FERRULES: BRASS.
- INSULATORS: PTFE.
- SEALING BOOT: THERMOPLASTIC AND FLUOROSILICONE.

**FINISHES (ALL METAL PARTS) :**

- GOLD PER MIL-G-45204, TYPE II, GRADE C, CLASS 1 50 MICROINCHES OVER NICKEL PER QQ-N-290, CLASS 2.

WIRING INSTRUCTIONS : MICT0200002.

DIMENSIONS : mm (inch) -



This information is given as an indication. In the continual goal to improve our products, we reserve the right to make any modifications judged necessary.

4112\_9311

CREATION				
PEN: M040400113A				
NOM: LEGAVE F.				
DATE: Jan. 21. 05	Mar. 24, 05	Sealing boot: Ø1,50 was TBD.	L.Garcia	M.Pessard
APPR.: L.Garcia	Jan. 28, 05	Wiring instructions added.	L.Garcia	M.Pessard
	Issue	Revisions	Name	Approved