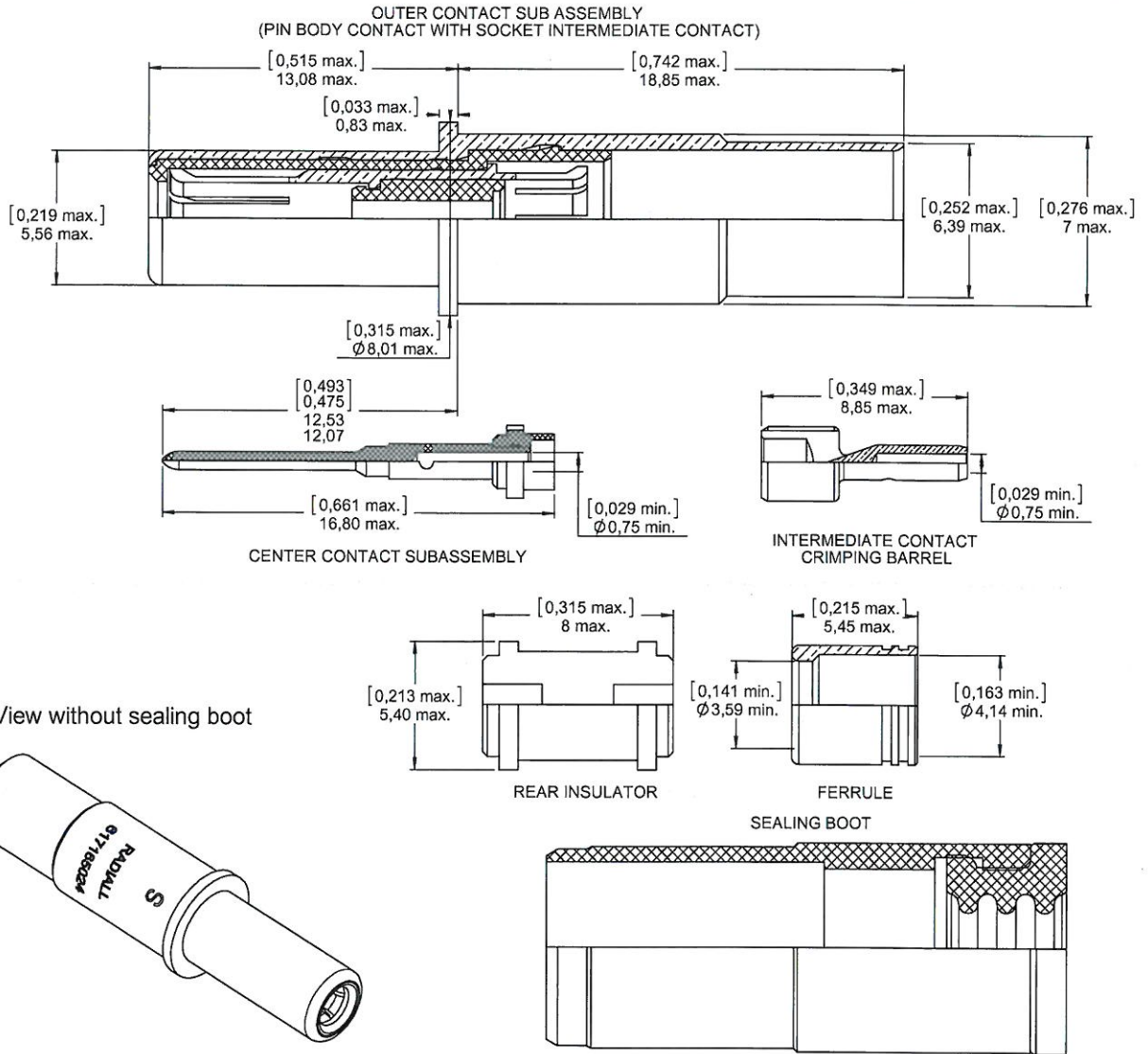


**Series
EPXB**
**SIZE 8 CONCENTRIC TWINAX PIN CONTACT ENVIRONMENTAL
FOR 7724Y3664 CHEMINAX CABLES**
**Issue:
Nov 7, 2014**
**Page
1/1**

MATERIALS & FINISHES:

- OUTER CONTACT & FERRULE : Brass, Gold over Nickel plated
- INTERMEDIATE & CENTER CONTACT : Beryllium copper or Copper alloy, Gold over Nickel plated,
- DIELECTRIC PARTS & DIELECTRIC SLEEVE : PTFE or equivalent.
- SEALING BOOT : Thermoplastic + fluorosilicone elastomer.

SEE WIRING INSTRUCTIONS : RP 3364
EXTRACTION TOOL: M81969/28-03 (RADIAL 282 549 001)
LABELED:

RADIAL	DATE CODE
Code OTAN : F0987	
617165024	

DIMENSIONS : mm (inch are given for information only)


Estimated weight : 5.05 g

CREATION				
PEN: 1012379-2088				
NOM: PAILLOT N.	Nov 7, 14	Marking shown on 3D view & dimension added per customer requirements : 5.56 (219), 6.39(252) & 7(276)	Paillot N.	Vieira D.
DATE: March 27, 2013	Aug. 08, 13	Added marking and labeled	Ramos D.	Pessard M
APPR.: LE GLOAHEC Y	June 27, 13	Part denomination updated to be in accordance with Moulding instruction RP 33644	Paillot N.	Pessard M
	Issue	Revisions	Name	Approved

RADIAL Engineering Approval :

 LE GLOAHEC Y.
 Nov 12, 2014

This document contains proprietary information and such information shall not be disclosed to any third party for any purpose whatsoever or used for manufacturing purposes without prior written agreement from RADIAL. This information is given as an indication in the continual goal to improve our products, we reserve the right to make any modifications judged necessary.

4112_9311