

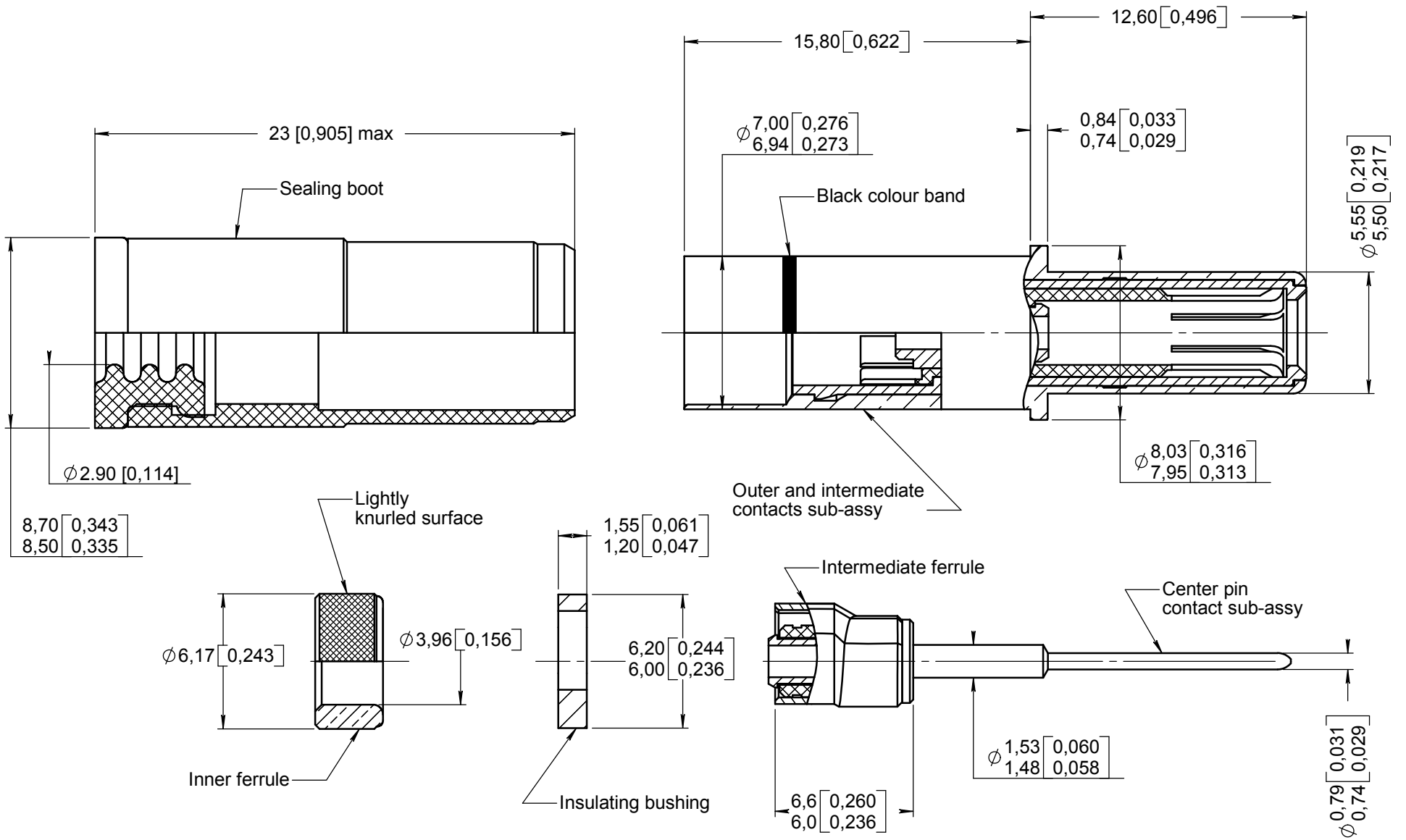


Series
EPXB

CONCENTRIC SIZE 8 TRIAX PIN CONTACT
FOR TENSOLITE 24463/9P025X-2(LD) (S280W502-001) TWINAX CABLE.

Issue:
March 25, 2005

Page
1/1



MATERIALS:

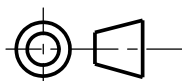
- OUTER, INTERMEDIATE, AND CENTER CONTACT: COPPER ALLOY.
- FERRULES: BRASS.
- INSULATORS: PTFE.
- SEALING BOOT: THERMOPLASTIC AND FLUOROSILICONE.

FINISHES (ALL METAL PARTS) :

- GOLD PER MIL-G-45204, TYPE II, GRADE C, CLASS 1 50 MICROINCHES OVER NICKEL PER QQ-N-290, CLASS 2.

WIRING INSTRUCTIONS : MICT0200002.

DIMENSIONS : mm (inch) -



This information is given as an indication. In the continual goal to improve our products, we reserve the right to make any modifications judged necessary.

4112_9311

CREATION				
PEN: M040400105A				
NOM: L.Garcia				
DATE: Mar. 25, 05				
APPR.: M.Pessard				
Issue	Revisions	Name	Approved	