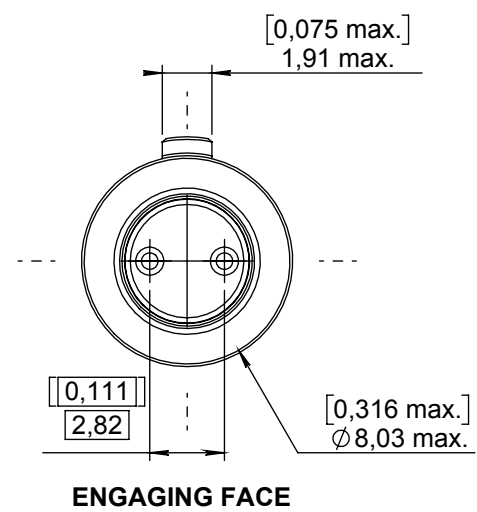
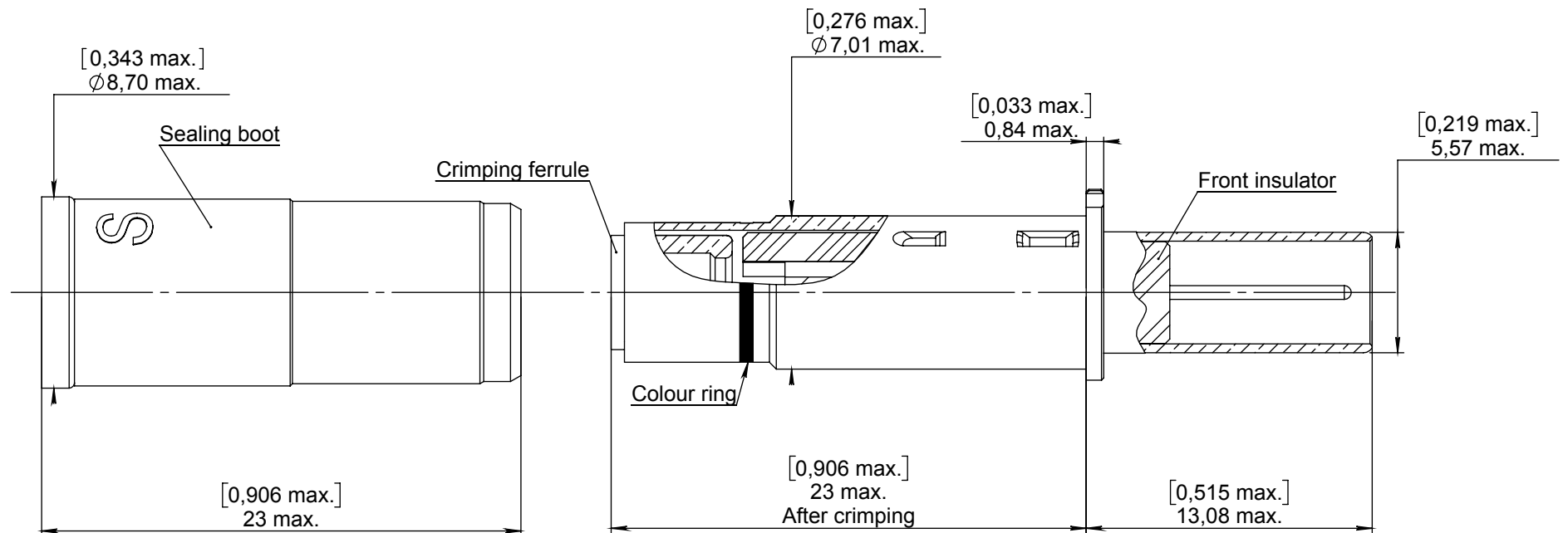


Series  
EPXB

ENVIRONMENTAL SIZE 8 TWINAX PIN CONTACT

Issue:  
Dec. 19, 2018

Page  
1/1



### MATERIALS:

- Outer, center contact and crimping ferrule: Copper alloy,
- Insulator: PTFE or equivalent,
- Spacer: Thermoplastic,
- Sealing boot: Thermoplastic, Fluorosilicone elastomer

### FINISHES:

- Outer, center contacts and crimping ferrule: Gold over nickel plated.
- Insulator, spacer and centering boot: Non applicable.

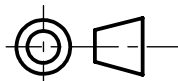
### NOTES:

- Extraction tool: M81969/28.03 (RADIALL P/N 282549001) or M81969/14-05.
- Contact delivered un-assembled.
- Wiring instruction according to RP56870.

### CABLES:

- NEXANS (FILOTEX) P/N: ABS 0386 WF / ET96897.
- DRAKA-FILECA P/N: F 2703-37.
- RAYCHEM P/N: 1726A1424.

DIMENSIONS : mm (inch are given for information only)



Estimated weight : 4,68 g

CREATION				
PEN: M03 0104 259B				
NOM: Perrin H.		Dec. 19, 18	Corrected sealing boot position	WEIHS H. LOPEZ C.
DATE: July 20 04		Dec. 14, 18	Added estimated weight, updated contact body.	WEIHS H. LOPEZ C.
APPR.: LAHOREAU C.		Mar. 09, 09	"RAYCHEM: 1726A1424" cable added.	MALTY S. PESSARD M.
	Issue		Revisions	Name Approved

617165011EN

RADIALL PROPRIETARY INFORMATION