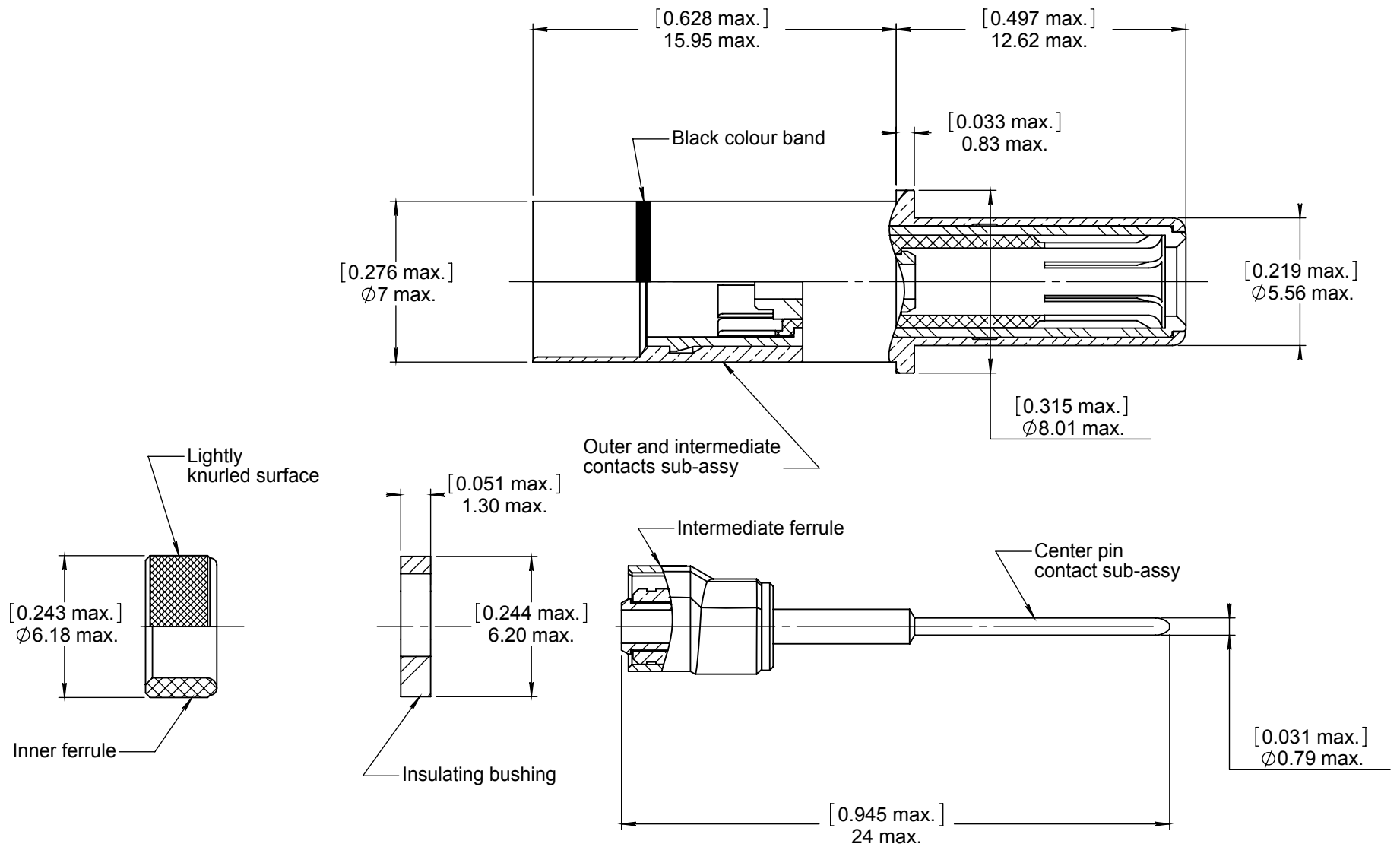


Series
EPXB

CONCENTRIC SIZE 8 TRIAX PIN CONTACT
FOR WHITMOR 2675-1575 TWINAX CABLES

Issue:
August 1st, 2011

Page
1/1



MATERIALS :

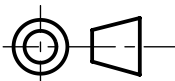
- OUTER, INTERMEDIATE, AND CENTER CONTACT: COPPER ALLOY.
- FERRULES: BRASS.
- INSULATORS: PTFE.

FINISHES (ALL METAL PARTS) :

- GOLD PER MIL-G-45204, TYPE II, GRADE C, CLASS 1 50 MICROINCHES OVER NICKEL PER QQ-N-290, CLASS 2.

WIRING INSTRUCTIONS : MICT0200002.

DIMENSIONS : mm (inch are given for information only)



Confidential information not to be disclosed to third parties without Radial approval. This information is given as an indication. In the continual goal to improve our products, we reserve the right to make any modifications judged necessary.

4112_9311

CREATION				
PEN:				
NOM: Branjonneau				
DATE: August 1st, 2011	/	/	/	/
APPR.: M. Pessard	Issue	Revisions	Name	Approved