

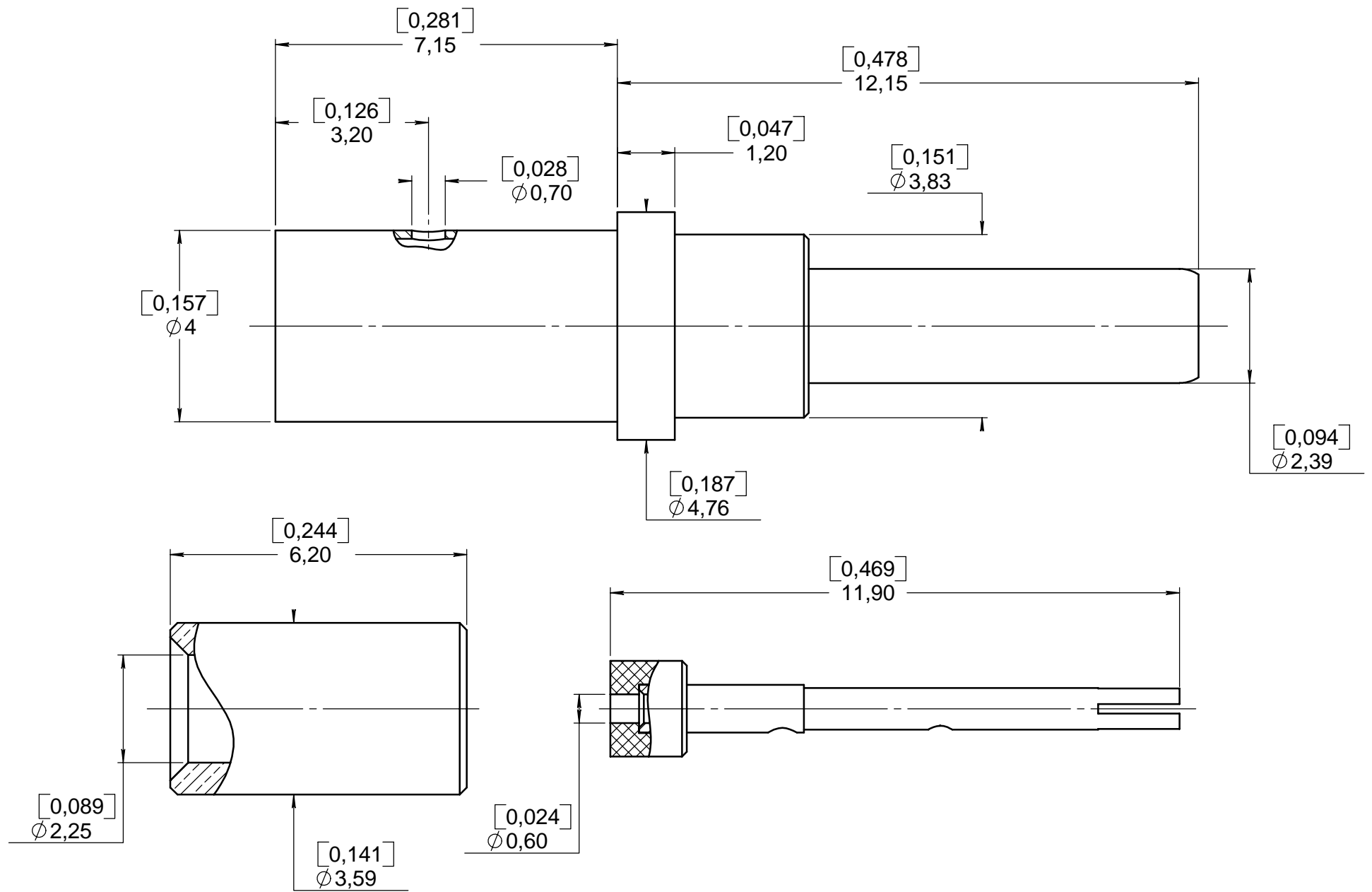


Series
EPX

Size 12 pin coaxial contact
for UT .085 cable.

Issue:
Oct. 28, 2003

Page
1/1



Material and finish:

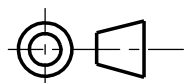
- Outer contact and ferrule: copper alloy; gold over nickel.
- Center contact: beryllium copper; gold over nickel.
- Insulator: PTFE.

Insertion / Extraction tool:

- Plastic: 282547 (M81969/14-04).
- Metallic: 282945 (M81969/28-01).

Wiring instructions: RP56567.

DIMENSIONS : mm (inch) -



This information is given as an indication. In the continual goal to improve our products, we reserve the right to make any modifications judged necessary.

4112_9311

CREATION				
PEN: 89054				
NOM: J.P. Macari				
DATE:	10-28-03	Hole Ø 0,7 added.	Marques	
APPR.:	10.24.02	Redrawn in English version.	L.Garcia	L.Giet
	Issue	Revisions	Name	Approved