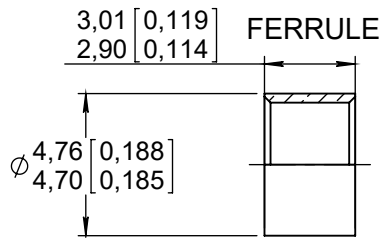
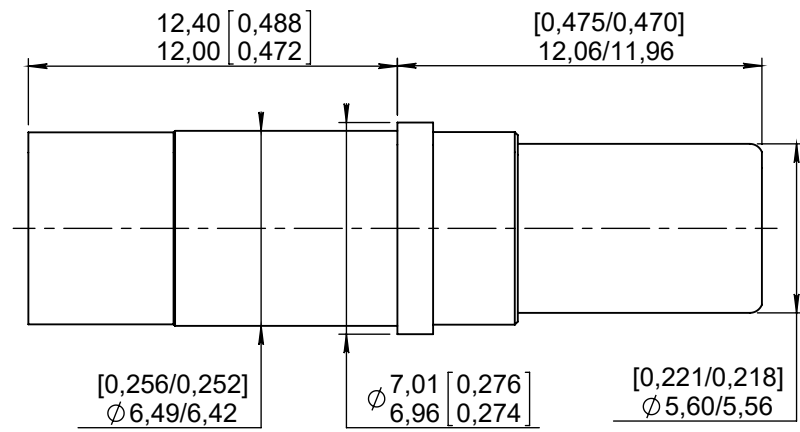
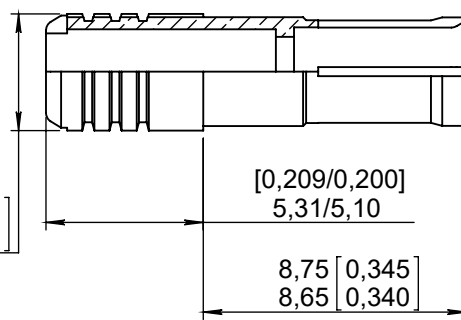
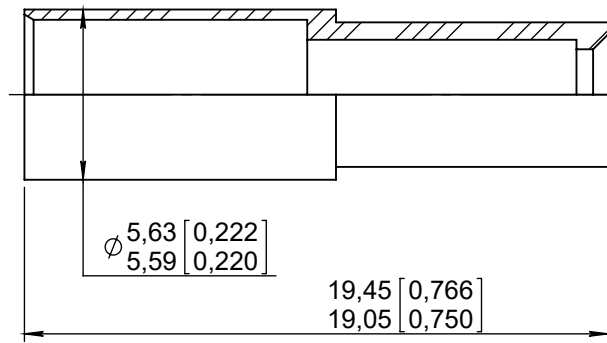
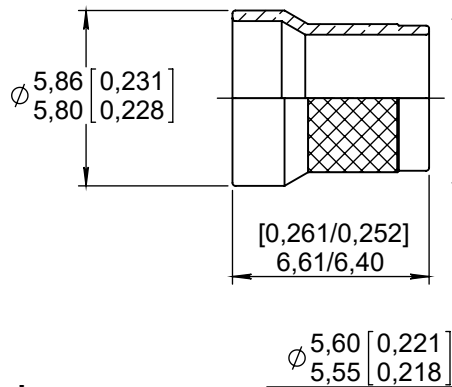
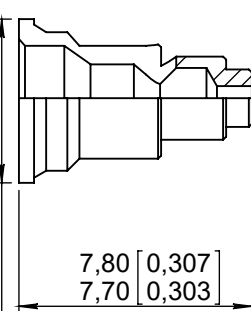
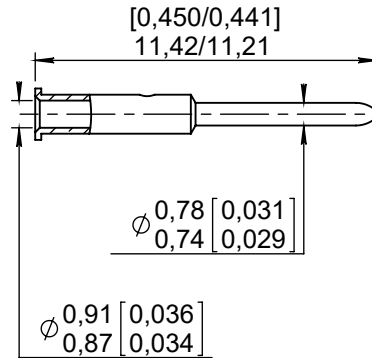
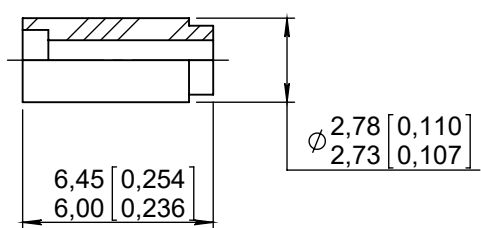


**Series
EPXB**
**NON-ENVIRONMENTAL CONCENTRIC TWINAX #5
PIN CONTACT
FOR TENSOLITE 24473/03159X-2(LD) CABLES**
**Issue:
Dec. 15, 2017**
**Page
1/1**
CONTACT OUTER BODY

INTERMEDIATE CONTACT

INSULATOR

SHIELD CRIMP SLEEVE

DIELECTRIC

CENTER CONTACT

INSULATOR

Material :

- Outer body contact and intermediate contact : beryllium copper per ASTM-B-196.
- Center contact : C97.
- Ferrule : copper alloy per ASTM-B-453/B-453M.
- Shield crimp sleeve : copper alloy per ASTM-B-16/B-16M.
- Dielectric and insulator : PTFE per ASTM-D-1710 or equivalent.

Finish :

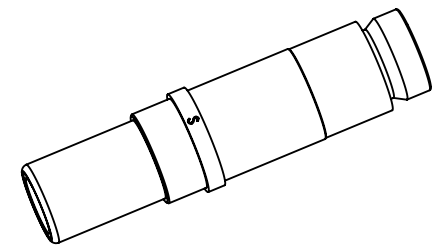
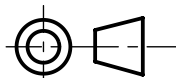
- All metallic parts : gold per SAE-AMS-2422 over nickel per SAE-AMS-QQ-N-290.

Crimping tools : (crimped contacts will show no crack when inspected, per MIL-C-22520, at 10x)

- Center contact :
 - . Basic tool : M22520/2.01 (RADIALL: 282 281).
 - . Selector set 3.
 - . Positionner RADIALL : 282 560.
- Intermediate and outer body contacts :
 - . Basic tool : M22520/5.01 (RADIALL: 282 293).
 - . Die : M22520/5.05 (RADIALL 282 246).
 - . Die closure : B for intermediate contact
A for outer body contact

Extraction tool : M81969/28.01 (RADIALL 282 946).

See wiring specification: RP 57759.


DIMENSIONS : mm (inch are given for information only)


Estimated weight : 2,80 g

CREATION
PEN:
NOM: Branjonneau

DATE: Aug. 1st, 2011

APPR.: M. Pessard

| | | | |
|-------------|---|----------------|-------------|
| Dec. 15, 17 | Mistake on title block : PAN6421 replaced by Tensolite 24473/03159X-2(LD) | Branjonneau V. | Legendre T. |
| Issue | Revisions | Name | Approved |