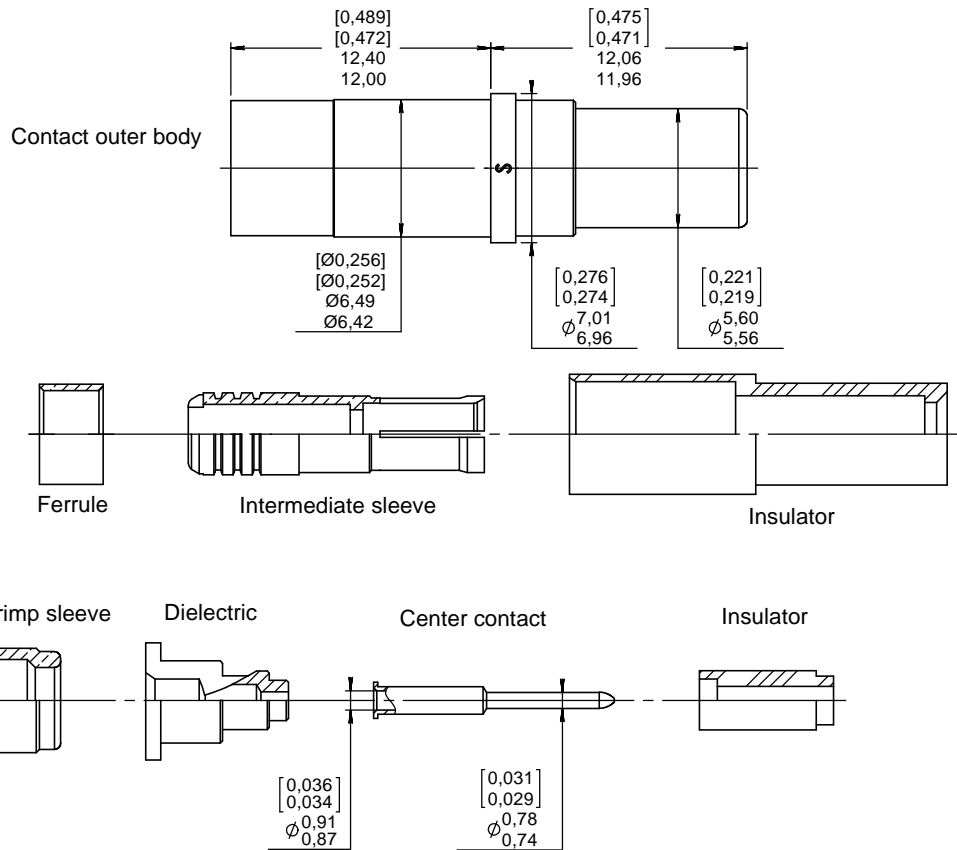


**Series
EPX**
**CONCENTRIC TWINAX
PIN CONTACT**
 Twinax PAN 6421, M17176/00002 and Raychem 10613 cables.

Issue:
 Oct 02nd, 2012

Page
1/1

MATERIALS:

- Outer body contact and intermediate contact: Beryllium copper 1/2 hardness in knoop 140 max (126 HV) for crimp barrel.
- Ferrule and shield crimp sleeve: Copper alloy.
- Center contact: C97.
- Dielectric and insulators: PTFE.

FINISHES:

- All metallic parts: Gold per MIL-G-45204 type I or II grade C or D class 1,50 microinches over nickel plate per QQ-N-290.

Crimping tools: (Crimped contacts will show no crack when inspected, per MIL-C-22520, at 10x).

- Center contact:
 - Basic tool: M22520/2.01 (RADIALL: 282 281).
 - Selector set 3.
 - Positionner RADIALL: 282 560.
- Intermediate and outer body contacts:
 - Basic tool: M22520/5.01 (RADIALL 282 293).
 - Die: M22520/5.05 (RADIALL 282 246).
 - Die closure: B for intermediate contact.
 - A for outer body contact.

Extraction tool: M81969/28.01 (RADIALL 282 946).

See wiring specification: RP 2737.

DIMENSIONS : mm (inch are given for information only)


Estimated weight : 3 g

This document contains proprietary information and such information shall not be disclosed to any third party for any purpose whatsoever or used for manufacturing purposes without prior written agreement from RADIALL. This information is given as an indication. In the continual goal to improve our products, we reserve the right to make any modifications judged necessary.

4112_9311

CREATION				
PEN:	Oct 02 nd , 2012	Title corrected	CHEVREAU M.	LE GLOAHEC Y.
	Apr 24 th , 2008	Raychem 10613 cable added.	MALTY S.	PESSARD M.
	Oct 28 th , 2003	Updated of shield crimp sleeve.	DUPUIS V.	LAHOREAU C.
NOM: MACARI JP.	Jan 27 th , 1999	Redraw. Updated from the detail drawing. Added standards and M17176/00002 cable.	GARCIA L.	GIET L.
DATE: Oct 23 rd , 1984				
APPR.:	Issue	Revisions	Name	Approved